

4

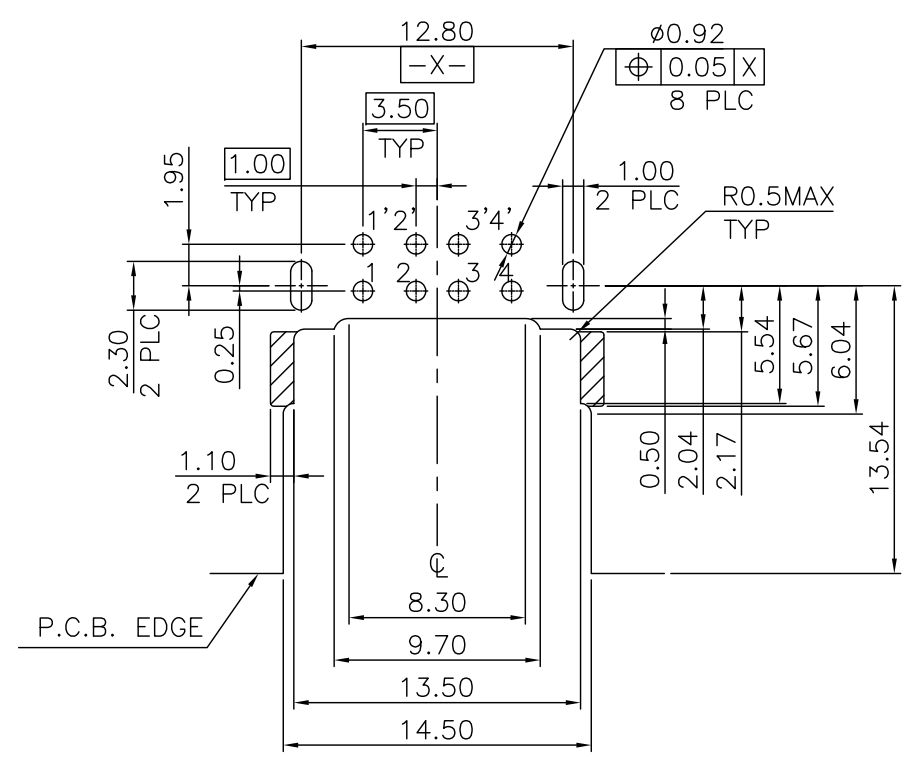
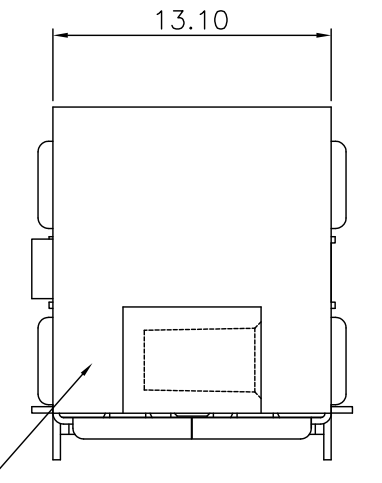
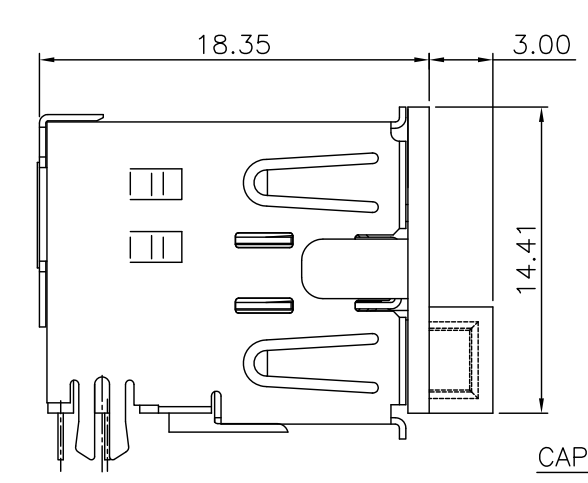
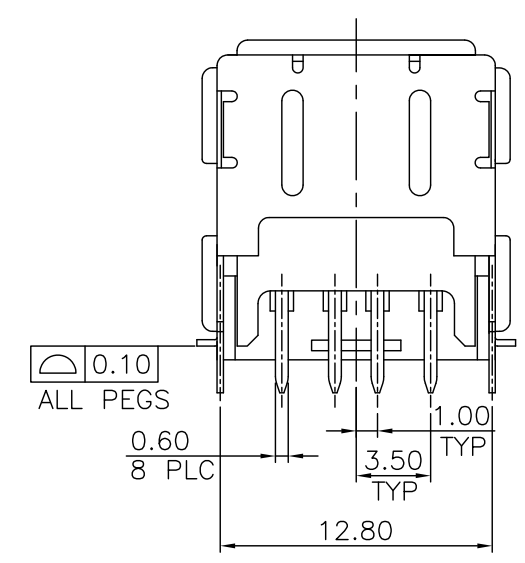
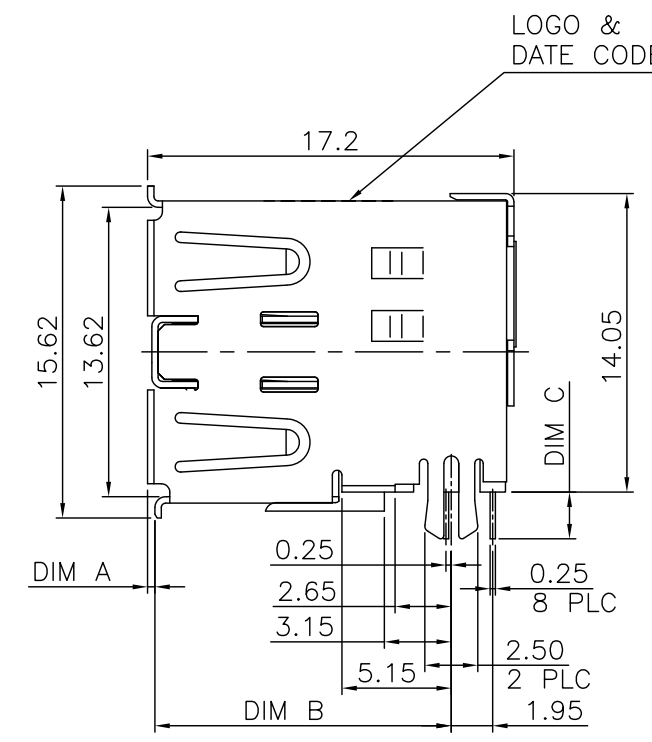
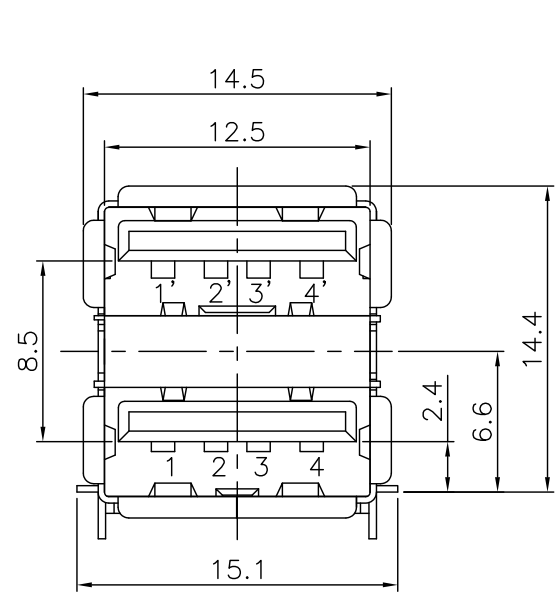
3

2

1

THIS DRAWING IS UNPUBLISHED. RELEASED FOR PUBLICATION
 © COPYRIGHT BY TYCO ELECTRONICS CORPORATION. ALL RIGHTS RESERVED.

LOC	DIST	REVISIONS			
P	LTR	DESCRIPTION	DATE	DWN	APVD
DW		G4	REVISED (ECR-13-017389)	01JUL14	BW SC



- NOTES:
- MATERIAL:
 - HOUSING: PA9T WITH 30% GF, UL 94V-0 RATED, BLACK COLOR.
 - SPACER: PA9T WITH 30% GF, UL 94V-0 RATED, BLACK COLOR.
 - CAP: PA9T WITH 30% GF, UL 94V-0 RATED, BLACK COLOR.
 - CONTACT: PHOSPHOR BRONZE.
 - FRONT SHIELD: BRASS.
 - REAR SHIELD: SPCC.
 - GROUNDING STRIP: BRASS.
 - FINISH:
 - CONTACT: 0.762µm [30µ"] MIN. GOLD PLATING ON CONTACT AREA. 3.048µm [120µ"] MIN. MATTE TIN PLATING ON SOLDER TAILS, WITH ENTIRE CONTACT UNDERPLATED 1.27µm [50µ"] MIN. NICKEL.
 - FRONT SHIELD: 0.762µm [30µ"] MIN. NICKEL PLATING. 0.762µm [30µ"] MIN. Cu UNDER PLATING OVERALL.
 - REAR SHIELD: 0.762µm [30µ"] MIN. NICKEL PLATING. 0.762µm [30µ"] MIN. Cu UNDER PLATING OVERALL.
 - GROUNDING STRIP: 0.762µm [30µ"] MIN. NICKEL PLATING. 0.762µm [30µ"] MIN. Cu UNDER PLATING OVERALL.
 - REFLOW SOLDER CAPABLE TO 260°C PER TE SPEC 109-201, CONDITION B.

DIM C	DIM B	DIM A	CAP	PACKAGE	PART NUMBER	NOTE
1.90	14.30	0	W/	TAPE & REEL	1734062-3	
2.20	13.95	0.35	W/O	TUBE	1734062-2	OBSOLETE
				TAPE & REEL	1734062-1	OBSOLETE

RECOMMEND P.C.B LAYOUT (THICKNESS 1.2~1.4mm)
 (COMPONENT SIDE) TOLERANCE ±0.05mm

THIS DRAWING IS A CONTROLLED DOCUMENT.		DWN	F. YANG	10SEP2009	 TE Connectivity											
DIMENSIONS: MM		CHK	S. CHIEN	10SEP2009												
TOLERANCES UNLESS OTHERWISE SPECIFIED:		APVD	W. KODAMA	10SEP2009												
<table border="0"> <tr><td>0 PLC</td><td>± -</td></tr> <tr><td>1 PLC</td><td>± 0.35</td></tr> <tr><td>2 PLC</td><td>± 0.25</td></tr> <tr><td>3 PLC</td><td>± -</td></tr> <tr><td>4 PLC</td><td>± -</td></tr> <tr><td>ANGLES</td><td>± 3'</td></tr> </table>		0 PLC	± -	1 PLC		± 0.35	2 PLC	± 0.25	3 PLC	± -	4 PLC	± -	ANGLES	± 3'	PRODUCT SPEC	
0 PLC	± -															
1 PLC	± 0.35															
2 PLC	± 0.25															
3 PLC	± -															
4 PLC	± -															
ANGLES	± 3'															
MATERIAL		QUALIFICATION TEST REPORT		USB CONNECTOR, A SERIES, STACKED, OFFSET TYPE												
SEE NOTE		501-57557		SIZE	RESTRICTED TO											
		WEIGHT		CAGE CODE												
		4.71 GRAMS		DRAWING NO												
		CUSTOMER DRAWING		A300779												
				©=1734062												
				SCALE												
				SHEET												
				1 OF 24												
				REV												
				G4												

THIS DRAWING IS UNPUBLISHED.

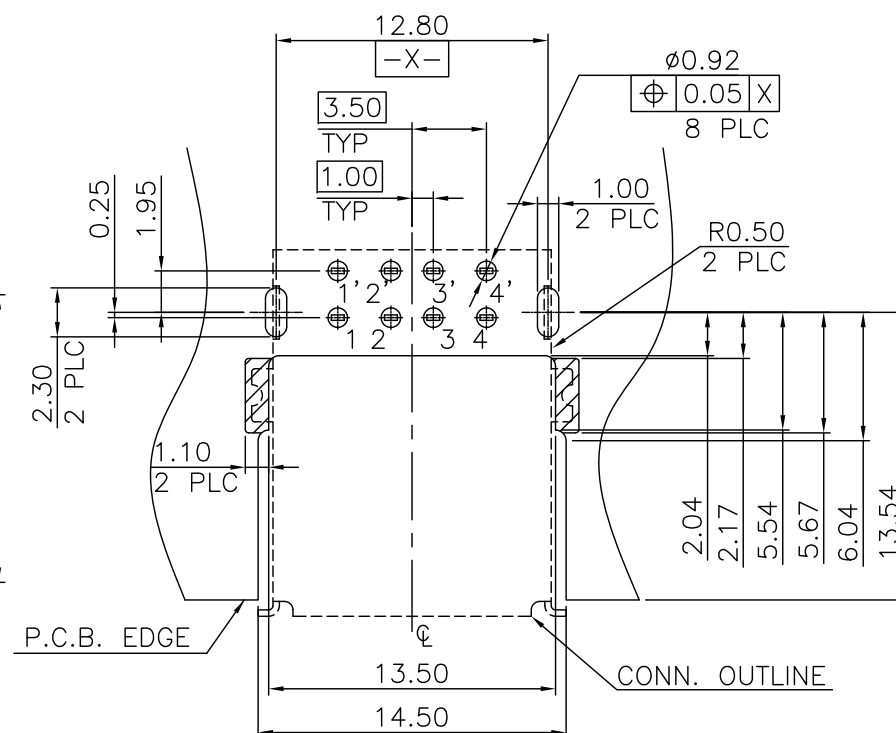
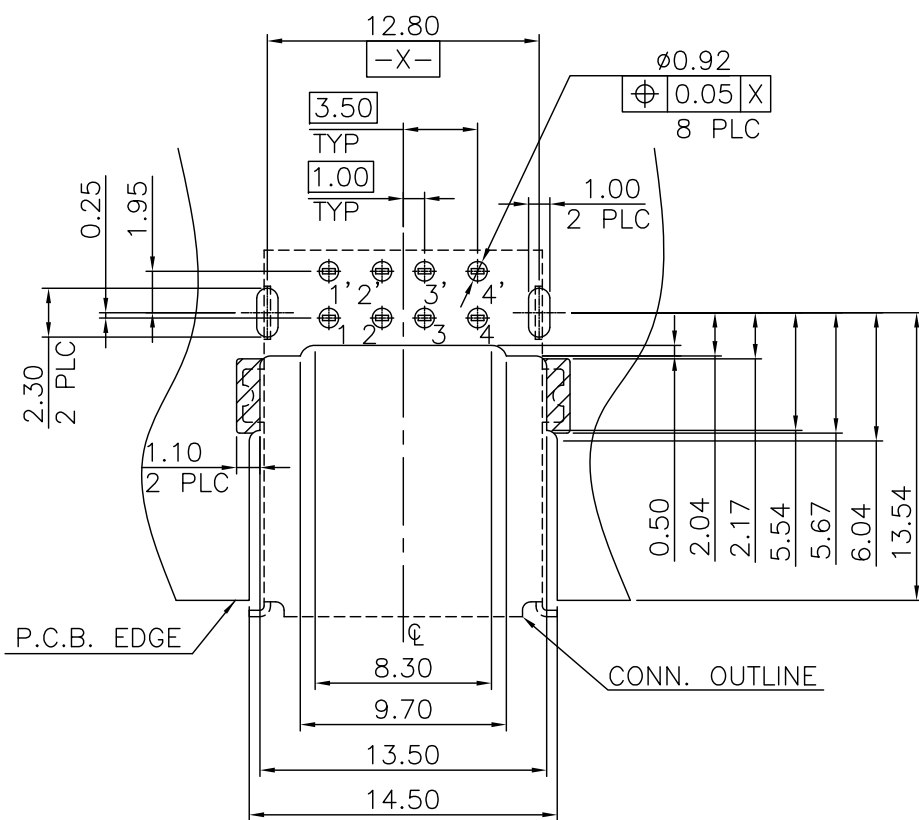
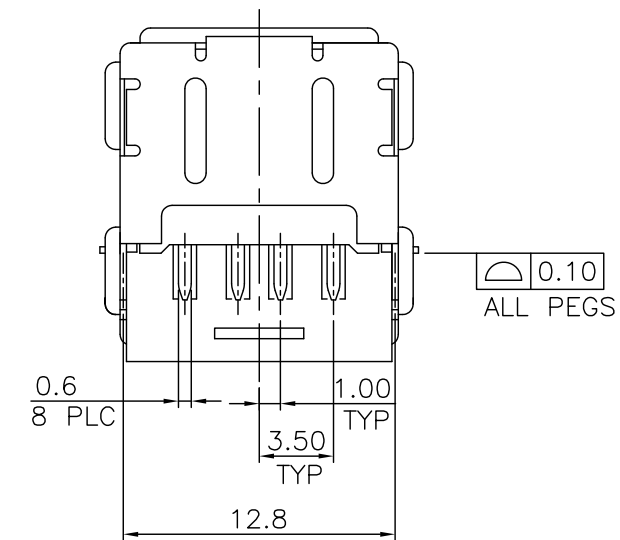
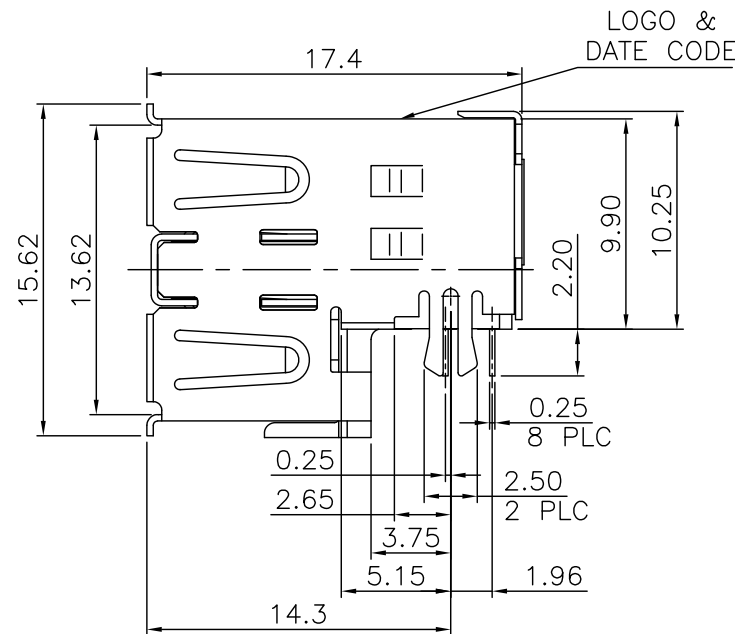
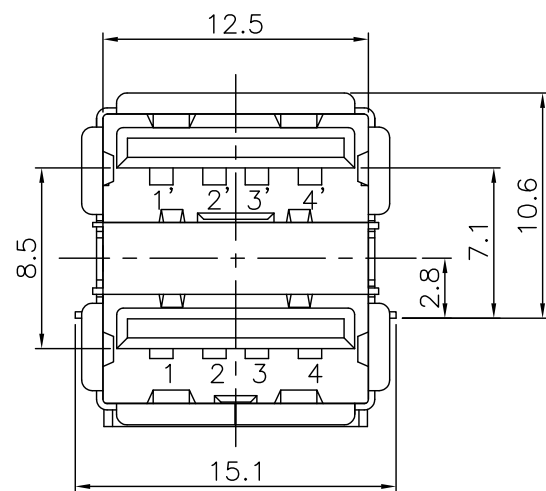
RELEASED FOR PUBLICATION

© COPYRIGHT BY TYCO ELECTRONICS CORPORATION. ALL RIGHTS RESERVED.

LOC DW DIST

REVISIONS

P	LTR	DESCRIPTION	DATE	DWN	APVD
		SEE SHEET 1.			



NOTE:

- MATERIAL:
HOUSING: PA9T WITH 30% GF, UL 94V-0 RATED, BLACK COLOR.
SPACER: PA9T WITH 30% GF, UL 94V-0 RATED, BLACK COLOR.
CONTACT: PHOSPHOR BRONZE.
FRONT SHIELD: BRASS.
REAR SHIELD: SPCC.
GROUNDING STRIP: BRASS.
- FINISH:
CONTACT: 0.762µm [30µ"] MIN. GOLD PLATING ON CONTACT AREA.
3.048µm [120µ"] MIN. BRIGHT TIN PLATING ON SOLDER TAILS,
WITH ENTIRE CONTACT UNDERPLATED 1.27µm [50µ"] MIN. NICKEL.
FRONT SHIELD: 0.762µm [30µ"] MIN. NICKEL PLATING.
0.762µm [30µ"] MIN. Cu UNDER PLATING OVERALL.
REAR SHIELD: 0.762µm [30µ"] MIN. NICKEL PLATING.
0.762µm [30µ"] MIN. Cu UNDER PLATING OVERALL.
GROUNDING STRIP: 0.762µm [30µ"] MIN. NICKEL PLATING.
0.762µm [30µ"] MIN. Cu UNDER PLATING OVERALL.
- REFLOW SOLDER CAPABLE TO 260°C PER TE SPEC 109-201, CONDITION B.

RECOMMEND P.C.B LAYOUT (THICKNESS 1.2~1.4mm)
(COMPONENT SIDE) TOLERANCE±0.05mm

RECOMMEND P.C.B LAYOUT (THICKNESS 1.2~1.4mm)
(COMPONENT SIDE) TOLERANCE±0.05mm

OBSOLETE	TUBE	1-1734062-2
	TAPE & REEL	1-1734062-1
NOTE	PACKAGE	PART NUMBER

THIS DRAWING IS A CONTROLLED DOCUMENT.		DWN	STE TE Connectivity		
DIMENSIONS: MM		CHK			
TOLERANCES UNLESS OTHERWISE SPECIFIED:		APVD	NAME		
0 PLC ± -		PRODUCT SPEC	USB CONNECTOR, A SERIES, STACKED, OFFSET TYPE		
1 PLC ± 0.35		QUALIFICATION TEST REPORT	SIZE	CAGE CODE	DRAWING NO
2 PLC ± 0.25			A3	00779	C=1734062
3 PLC ± -			RESTRICTED TO		
4 PLC ± -			-		
ANGLES ± 3'		WEIGHT	-		
MATERIAL SEE NOTE		4.71 GRAMS	-		
FINISH SEE NOTE		CUSTOMER DRAWING	SCALE	SHEET	REV
			-	2 OF 24	G4

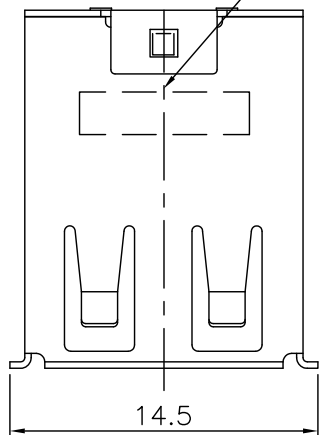
THIS DRAWING IS UNPUBLISHED.

RELEASED FOR PUBLICATION

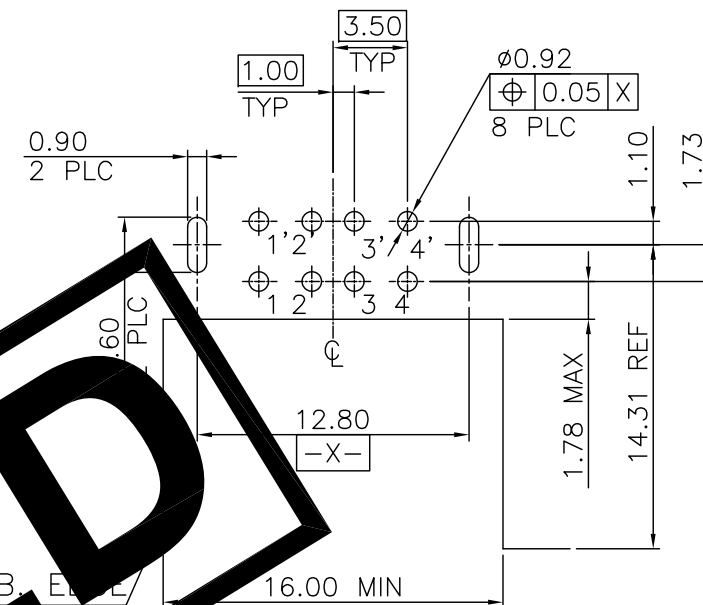
© COPYRIGHT BY TYCO ELECTRONICS CORPORATION. ALL RIGHTS RESERVED.

LOC	DIST	REVISIONS			
P	LTR	DESCRIPTION	DATE	DWN	APVD
		SEE SHEET 1.			

LOGO & DATE CODE

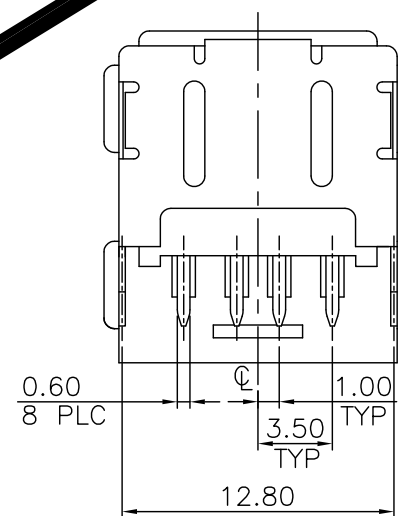
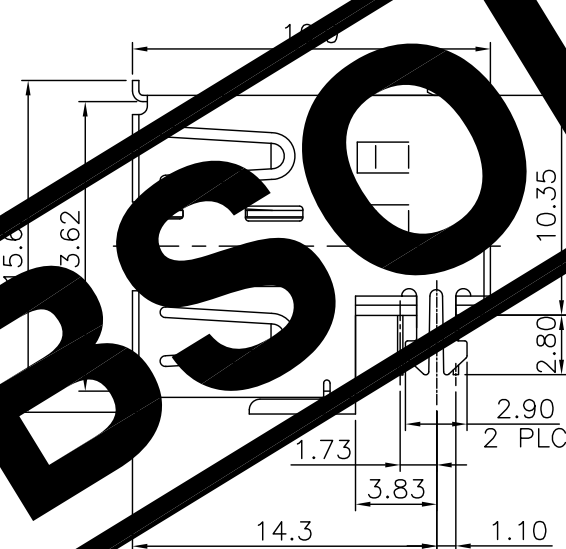
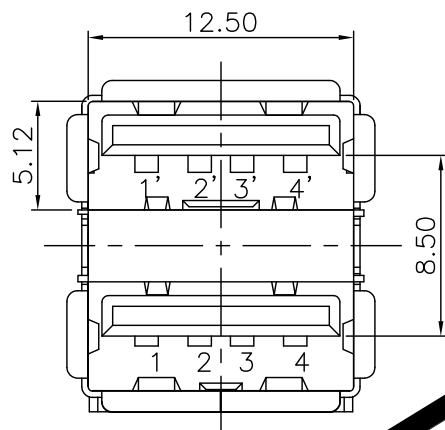


- NOTE:
- MATERIAL:
HOUSING: PA9T WITH 30% GF, UL 94V-0 RATED, BLACK COLOR.
SPACER: PA9T WITH 30% GF, UL 94V-0 RATED, BLACK COLOR.
CONTACT: PHOSPHOR BRONZE.
FRONT SHIELD: BRASS.
REAR SHIELD: SPCC.
GROUNDING STRIP: BRASS.
 - FINISH:
CONTACT: 0.76μm [30μ"] MIN. GOLD PLATING ON CONTACT AREA.
3.048μm [120μ"] MIN. BRIGHT TIN PLATING ON SOLDER TAIL,
WITH ENTIRE CONTACT UNDERPLATED 1.27μm [50μ"] MIN. NICKEL.
FRONT SHIELD: 0.76μm [30μ"] MIN. NICKEL PLATING.
0.76μm [30μ"] MIN. Cu UNDER PLATING OVERALL.
REAR SHIELD: 0.762μm [30μ"] MIN. NICKEL PLATING.
0.762μm [30μ"] MIN. Cu UNDER PLATING OVERALL.
GROUNDING STRIP: 0.762μm [30μ"] MIN. NICKEL PLATING.
0.762μm [30μ"] MIN. Cu UNDER PLATING OVERALL.
 - REFLOW SOLDER CAPABLE TO 260°C PER TE SPEC 109-201, CONDITION B.



P.C.B. EDGE

RECOMMEND P.C.B LAYOUT (THICKNESS 1.2mm) (COMPONENT SIDE) TOLERANCE ±0.05mm



OBSOLETE

OBSOLETE	-TRAY	2-1734062-2
OBSOLETE	-TUBE	2-1734062-1
	PACKAGE	PART NUMBER

THIS DRAWING IS A CONTROLLED DOCUMENT.		DWN	TE TE Connectivity	
DIMENSIONS: MM		CHK		
TOLERANCES UNLESS OTHERWISE SPECIFIED:		APVD	NAME	
0 PLC ± -		PRODUCT SPEC	USB CONNECTOR, A SERIES, STACKED, OFFSET TYPE	
1 PLC ± 0.35		QUALIFICATION TEST REPORT	SIZE	RESTRICTED TO
2 PLC ± 0.25			A3	
3 PLC ± -		WEIGHT	CAGE CODE	DRAWING NO
4 PLC ± -		4.71 GRAMS	00779	C=1734062
ANGLES ± 3'		CUSTOMER DRAWING	SCALE	SHEET
MATERIAL	FINISH			3 OF 24
SEE NOTE	SEE NOTE			REV G4

4

3

2

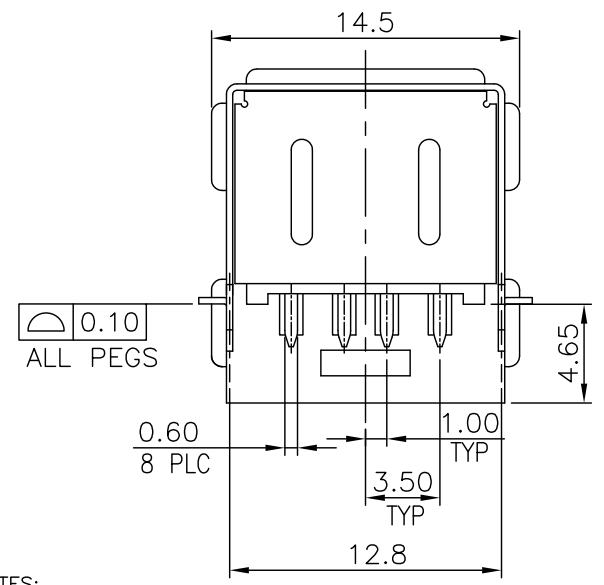
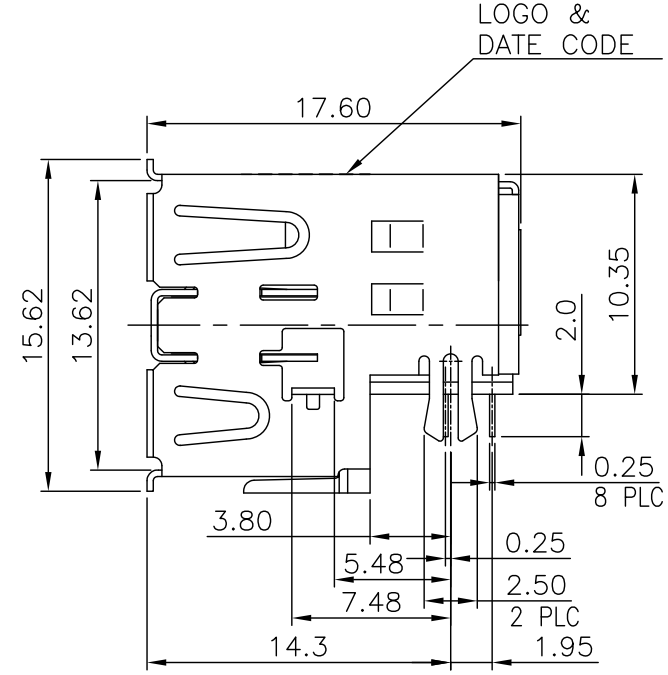
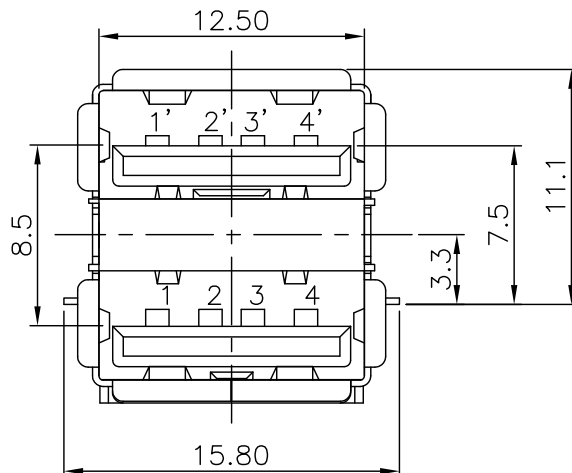
1

THIS DRAWING IS UNPUBLISHED.

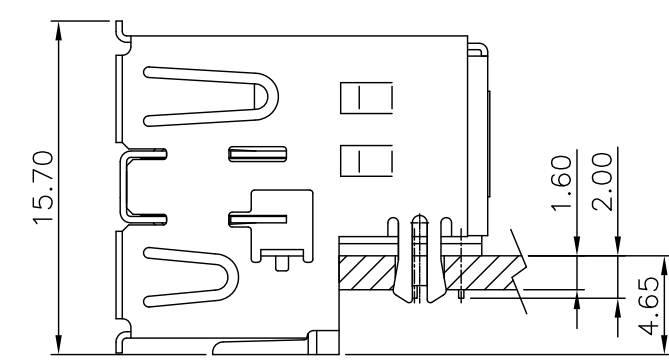
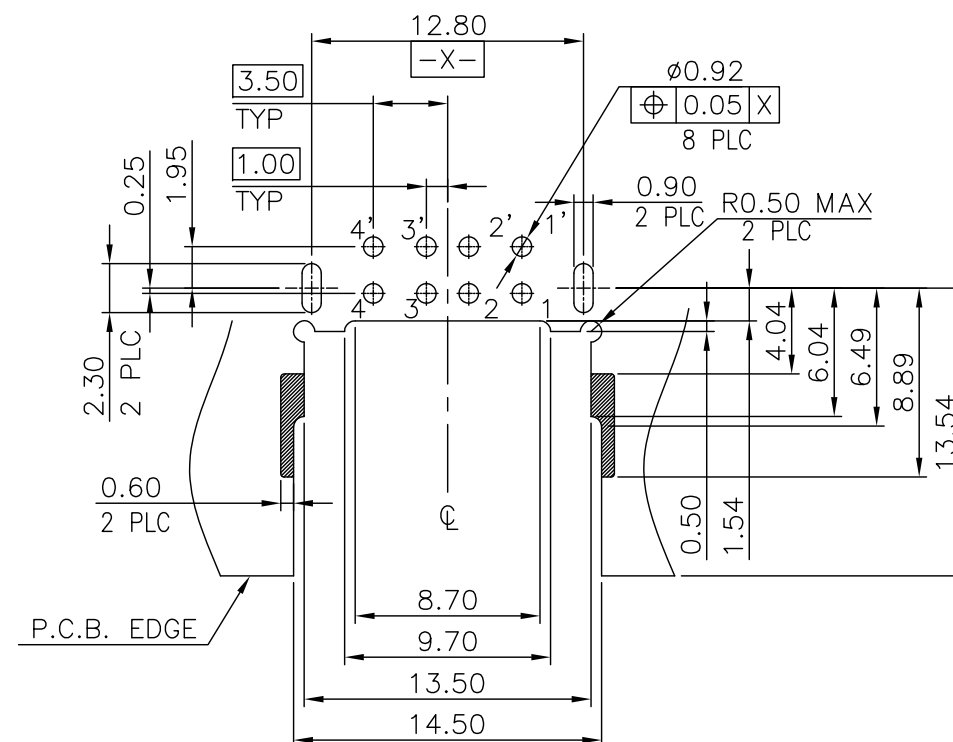
RELEASED FOR PUBLICATION

© COPYRIGHT BY TYCO ELECTRONICS CORPORATION. ALL RIGHTS RESERVED.

LOC	DIST	REVISIONS					
DW		P	LTR	DESCRIPTION	DATE	DWN	APVD
				SEE SHEET 1.			



- NOTES:
- MATERIAL:
HOUSING: PA9T WITH 30% GF, UL 94V-0 RATED, BLACK COLOR.
SPACER: PA9T WITH 30% GF, UL 94V-0 RATED, BLACK COLOR.
CONTACT: PHOSPHOR BRONZE.
FRONT SHIELD: BRASS.
REAR SHIELD: SPCC.
GROUNDING STRIP: STAINLESS.
 - FINISH:
CONTACT: 0.762µm [30µ"] MIN. GOLD PLATING ON CONTACT AREA.
3.048µm [120µ"] MIN. MATTE TIN PLATING ON SOLDER TAILS,
1.27µm [50µ"] MIN. NICKEL UNDERPLATED WITH ENTIRE CONTACT.
FRONT SHIELD: 0.762µm [30µ"] MIN. NICKEL PLATING.
0.762µm [30µ"] MIN. Cu UNDER PLATING OVERALL.
REAR SHIELD: 0.762µm [30µ"] MIN. NICKEL PLATING.
0.762µm [30µ"] MIN. Cu UNDER PLATING OVERALL.
 - FINISH:
CONTACT: 0.254µm [10µ"] MIN. GOLD PLATING ON CONTACT AREA.
3.048µm [120µ"] MIN. MATTE TIN PLATING ON SOLDER TAILS,
1.27µm [50µ"] MIN. NICKEL UNDERPLATED WITH ENTIRE CONTACT.
FRONT SHIELD: 0.762µm [30µ"] MIN. NICKEL PLATING.
0.762µm [30µ"] MIN. Cu UNDER PLATING OVERALL.
SPUTTERING/BLACK PLATING IN FRONT SURFACE.
REAR SHIELD: 0.762µm [30µ"] MIN. NICKEL PLATING.
0.762µm [30µ"] MIN. Cu UNDER PLATING OVERALL.
GROUNDING STRIP: SPUTTERING/BLACK PLATING IN FRONT SURFACE.
 - REFLOW SOLDER CAPABLE TO 260°C PER TE SPEC 109-201, CONDITION B.



RECOMMENDED MOUNT DIMENSION

OBSELETE	3	TAPE & REEL	3-1734062-4
OBSELETE		TAPE & REEL	3-1734062-3
	2	TUBE	3-1734062-2
		TRAY	3-1734062-1
	FINISH	PACKAGE	PART NUMBER

RECOMMEND P.C.B LAYOUT (THICKNESS 1.4~1.6mm)
(COMPONENT SIDE) TOLERANCE ±0.05mm

THIS DRAWING IS A CONTROLLED DOCUMENT.		DWN	STE TE Connectivity	
DIMENSIONS: MM		CHK		
TOLERANCES UNLESS OTHERWISE SPECIFIED:		APVD	NAME	
0 PLC ± -		PRODUCT SPEC	USB CONNECTOR, A SERIES, STACKED, OFFSET TYPE	
1 PLC ± 0.35		QUALIFICATION TEST REPORT	SIZE	CAGE CODE
2 PLC ± 0.25			A3	00779
3 PLC ± -			DRAWING NO	
4 PLC ± -			C=1734062	
ANGLES ± 3'			RESTRICTED TO	
MATERIAL	FINISH	WEIGHT	DRAWING NO	
SEE NOTE	SEE NOTE	4.71 GRAMS	A3 00779 C=1734062	
		CUSTOMER DRAWING	SCALE	SHEET
				4 OF 24
				REV G4

4

3

2

1

THIS DRAWING IS UNPUBLISHED.

RELEASED FOR PUBLICATION

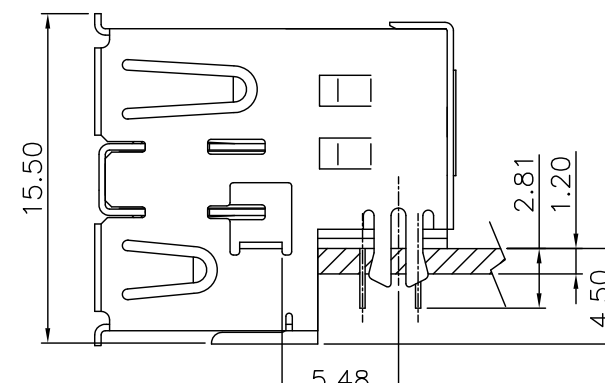
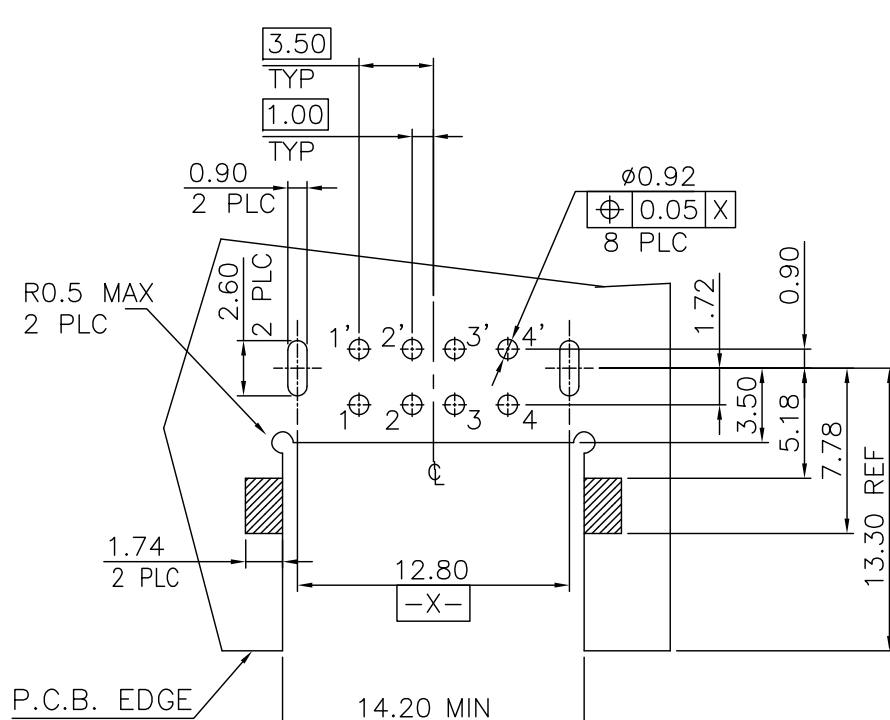
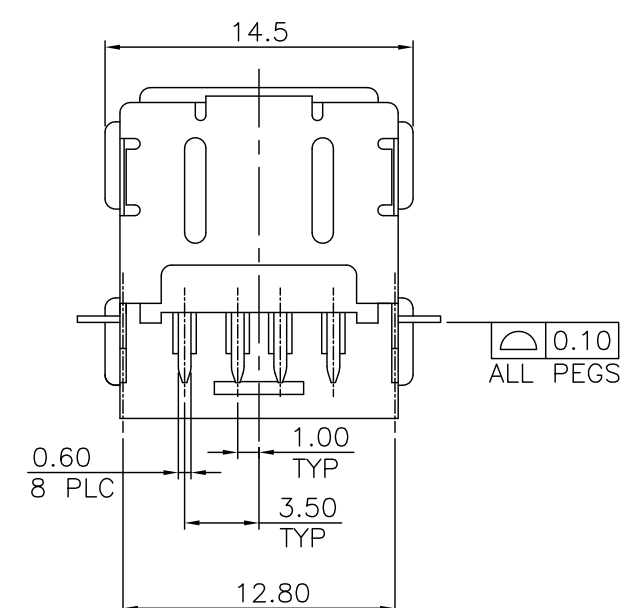
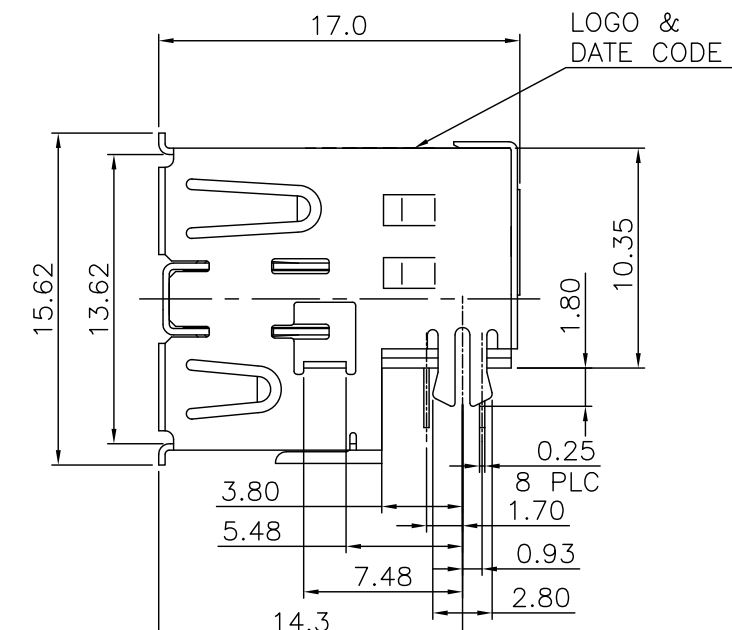
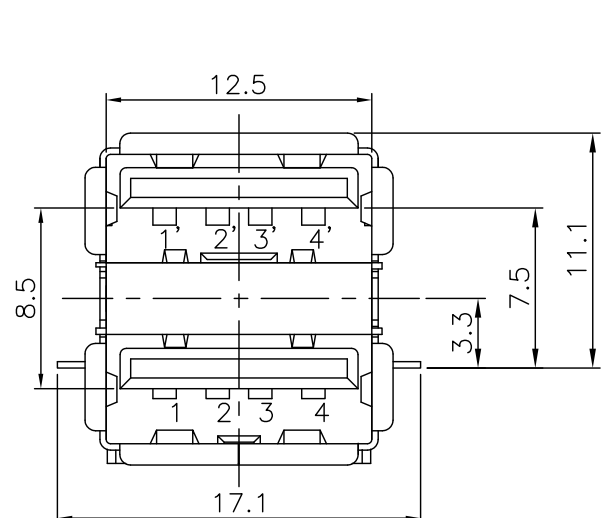
© COPYRIGHT BY TYCO ELECTRONICS CORPORATION. ALL RIGHTS RESERVED.

LOC DW

DIST

REVISIONS

P	LTR	DESCRIPTION	DATE	DWN	APVD
		SEE SHEET 1.			



RECOMMENDED MOUNT DIMENSION

- NOTES:
- MATERIAL:
 - HOUSING: PA9T WITH 30% GF, UL 94V-0 RATED, BLACK COLOR.
 - SPACER: PA9T WITH 30% GF, UL 94V-0 RATED, BLACK COLOR.
 - CONTACT: PHOSPHOR BRONZE.
 - FRONT SHIELD: BRASS.
 - REAR SHIELD: SPCC.
 - GROUNDING STRIP: BRASS.
 - FINISH:
 - CONTACT: 0.762μm [30μ"] MIN. GOLD PLATING ON CONTACT AREA. 3.048μm [120μ"] MIN. BRIGHT TIN PLATING ON SOLDER TAILS. WITH ENTIRE CONTACT UNDERPLATED 1.27μm [50μ"] MIN. NICKEL.
 - FRONT SHIELD: 0.762μm [30μ"] MIN. NICKEL PLATING.
 - REAR SHIELD: 0.762μm [30μ"] MIN. NICKEL PLATING.
 - GROUNDING STRIP: 0.762μm [30μ"] MIN. NICKEL PLATING.
 - REFLOW SOLDER CAPABLE TO 260°C PER TE SPEC 109-201, CONDITION B.

OBSOLETE	TUBE	4-1734062-1
	PACKAGE	PART NUMBER

RECOMMEND P.C.B LAYOUT (THICKNESS 1.0~1.4mm) (COMPONENT SIDE) TOLERANCE ±0.05mm

THIS DRAWING IS A CONTROLLED DOCUMENT.		DWN	STE TE Connectivity		
DIMENSIONS: MM		CHK			
TOLERANCES UNLESS OTHERWISE SPECIFIED:		APVD	NAME		
0 PLC ± -		PRODUCT SPEC	USB CONNECTOR, A SERIES, STACKED, OFFSET TYPE		
1 PLC ± 0.35		QUALIFICATION TEST REPORT	SIZE	CAGE CODE	DRAWING NO
2 PLC ± 0.25		MATERIAL SEE NOTE	A300779		C=1734062
3 PLC ± -			WEIGHT	4.71 GRAMS	
4 PLC ± -		CUSTOMER DRAWING	SCALE	SHEET	REV
ANGLES ± 3'				5 of 24	G4

4

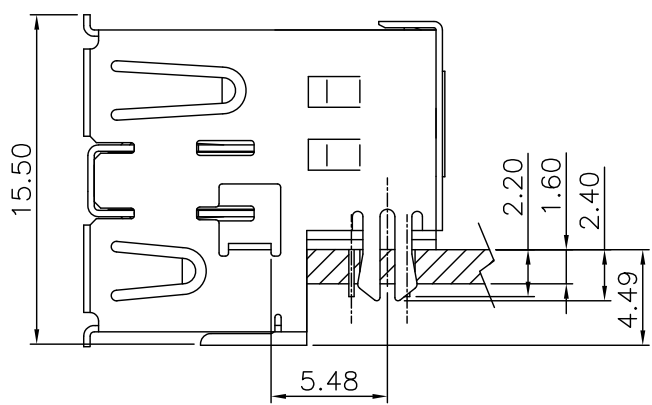
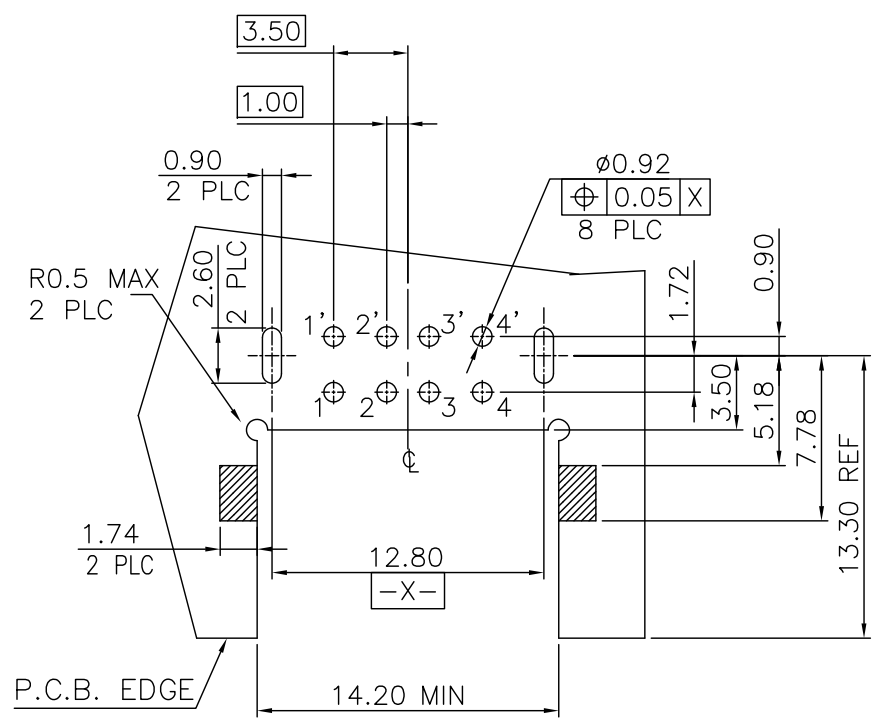
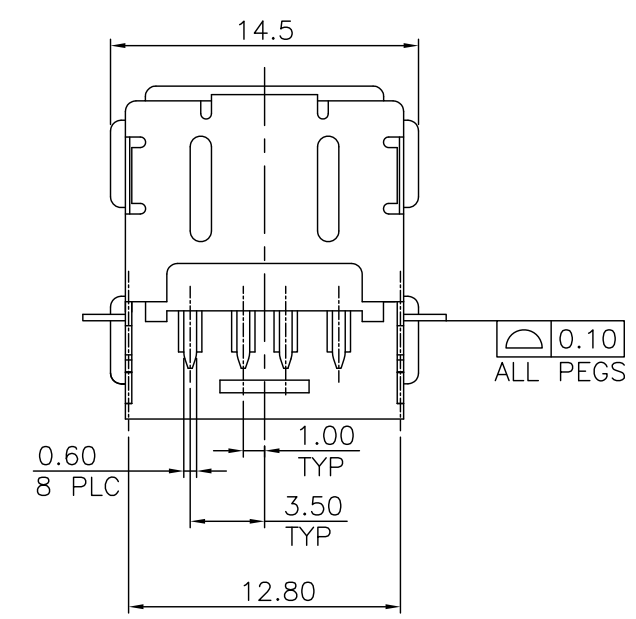
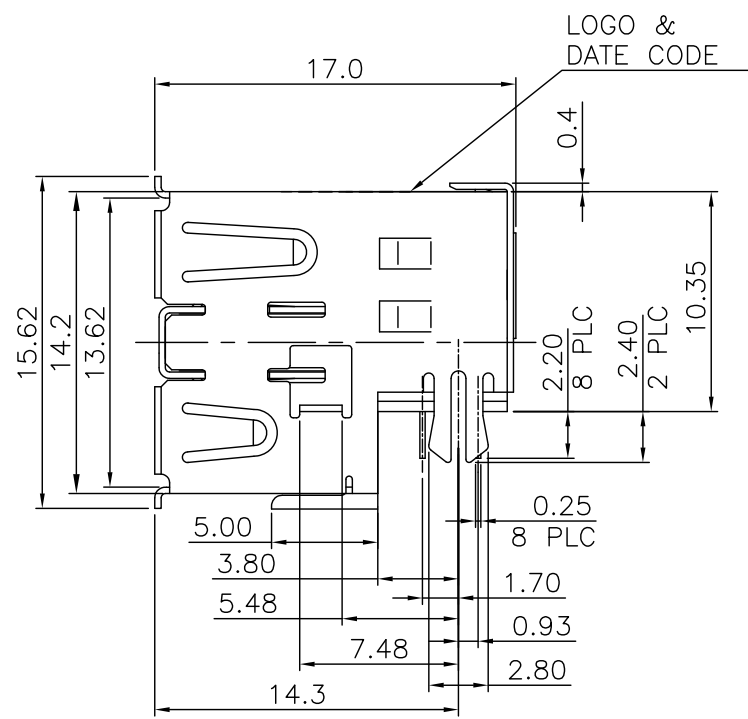
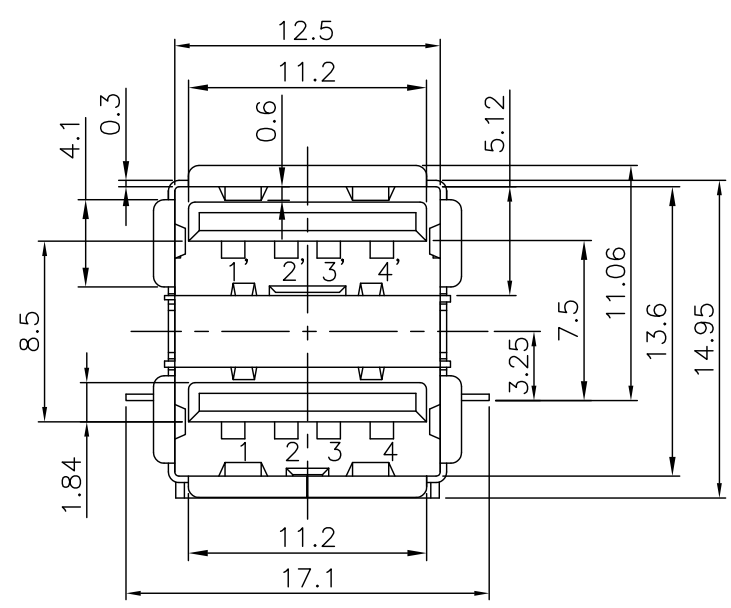
3

2

1

THIS DRAWING IS UNPUBLISHED. RELEASED FOR PUBLICATION
 © COPYRIGHT BY TYCO ELECTRONICS CORPORATION. ALL RIGHTS RESERVED.

LOC	DIST	REVISIONS			
P	LTR	DESCRIPTION	DATE	DWN	APVD
DW		SEE SHEET 1.			



- NOTES:
- MATERIAL:
 - HOUSING: PA9T WITH 30% GF, UL 94V-0 RATED, BLACK COLOR.
 - SPACER: PA9T WITH 30% GF, UL 94V-0 RATED, BLACK COLOR.
 - CONTACT: PHOSPHOR BRONZE.
 - FRONT SHIELD: SUS.
 - REAR SHIELD: SPCC.
 - GROUNDING STRIP: SUS.
 - FINISH:
 - CONTACT: 0.762µm [30µ"] MIN. GOLD PLATING ON CONTACT AREA.
 - 3.048µm [120µ"] MIN. BRIGHT TIN PLATING ON SOLDER TAILS.
 - WITH ENTIRE CONTACT UNDERPLATED 1.27µm [50µ"] MIN. NICKEL.
 - FRONT SHIELD: 0.762µm [30µ"] MIN. NICKEL PLATING OVERALL.
 - REAR SHIELD: 0.762µm [30µ"] MIN. NICKEL PLATING.
 - 0.762µm [30µ"] MIN. Cu UNDER PLATING OVERALL.
 - REFLOW SOLDER CAPABLE TO 260°C PER TE SPEC 109-201, CONDITION B.

RECOMMENDED MOUNT DIMENSION

RECOMMEND P.C.B LAYOUT (THICKNESS 1.6mm)
 (COMPONENT SIDE) TOLERANCE ±0.05mm

OBSOLETE	TAPE & REEL	4-1734062-2
	PACKAGE	PART NUMBER

THIS DRAWING IS A CONTROLLED DOCUMENT.		DWN	TE Connectivity			
DIMENSIONS: MM		CHK				
TOLERANCES UNLESS OTHERWISE SPECIFIED:		APVD	NAME			
0 PLC ± - 1 PLC ± 0.35 2 PLC ± 0.25 3 PLC ± - 4 PLC ± - ANGLES ± 3°		PRODUCT SPEC	USB CONNECTOR, A SERIES, STACKED, OFFSET TYPE			
MATERIAL SEE NOTE		QUALIFICATION TEST REPORT	SIZE	CAGE CODE	DRAWING NO	RESTRICTED TO
FINISH SEE NOTE		WEIGHT 4.71 GRAMS	A3	00779	C=1734062	
		CUSTOMER DRAWING	SCALE	SHEET	6 OF 24	REV G4

4

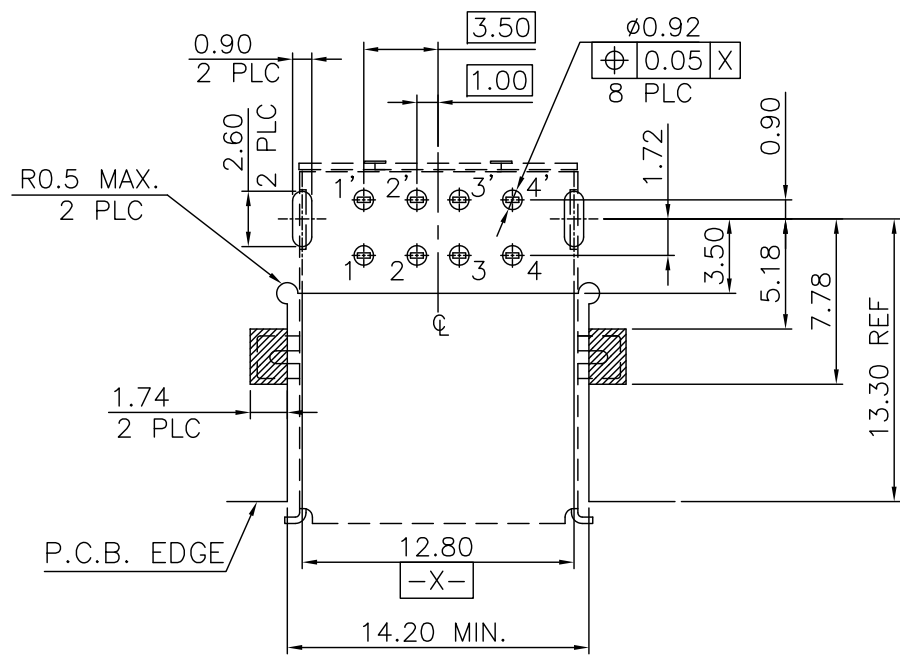
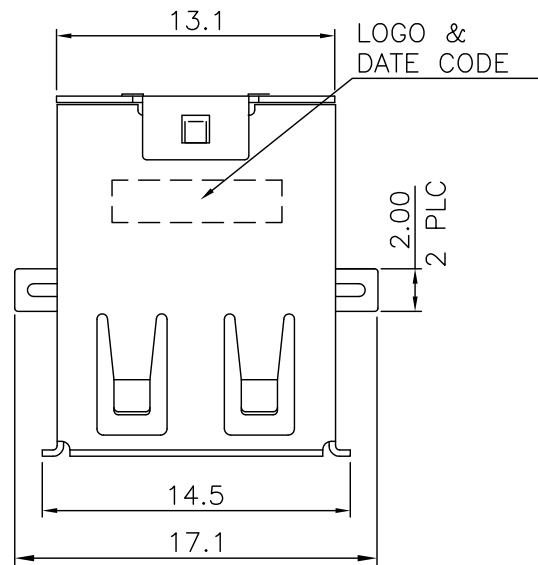
3

2

1

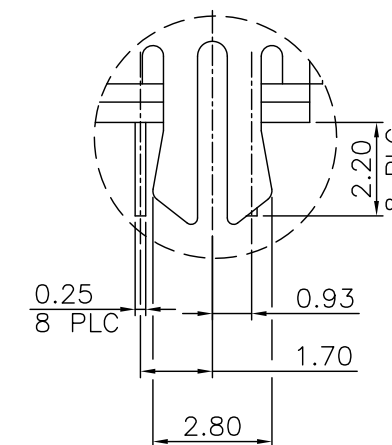
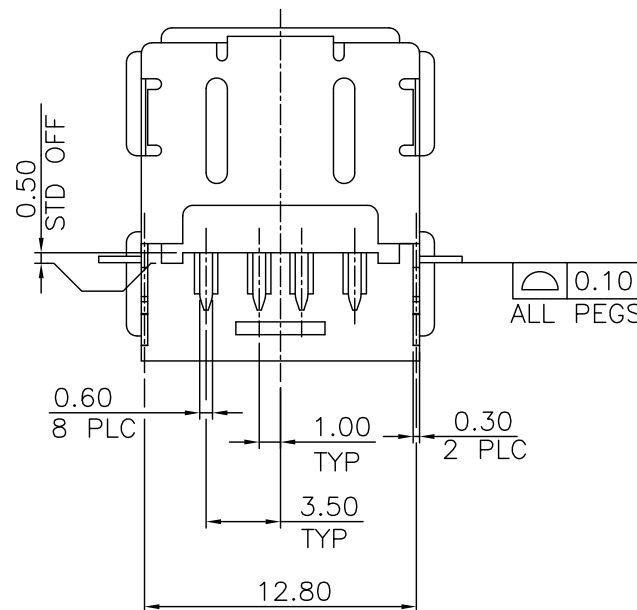
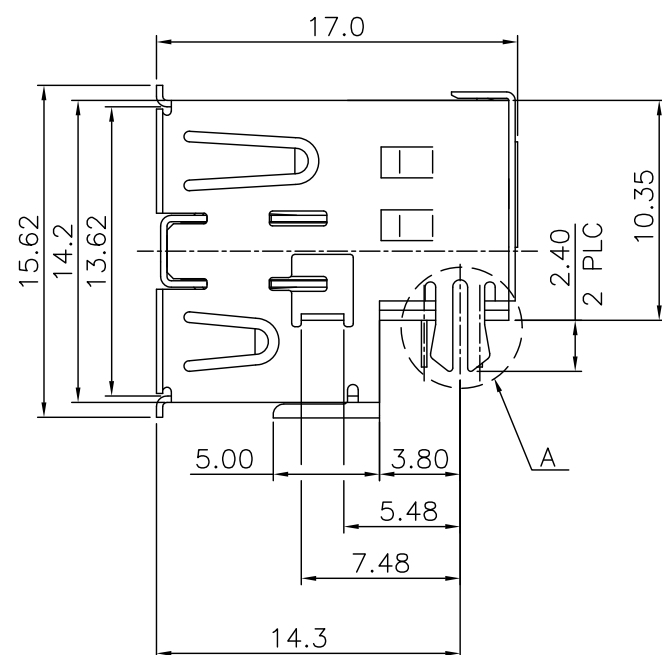
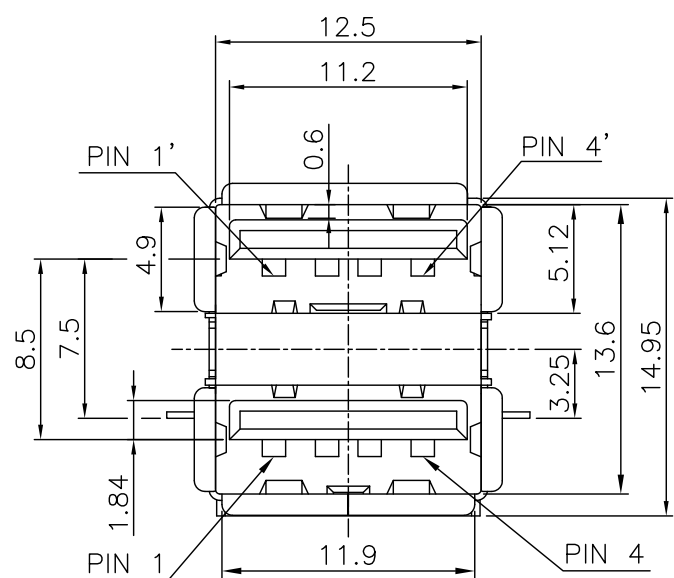
THIS DRAWING IS UNPUBLISHED. RELEASED FOR PUBLICATION
 © COPYRIGHT BY TYCO ELECTRONICS CORPORATION. ALL RIGHTS RESERVED.

LOC	DIST	REVISIONS			
P	LTR	DESCRIPTION	DATE	DWN	APVD
DW	/	SEE SHEET 1.			

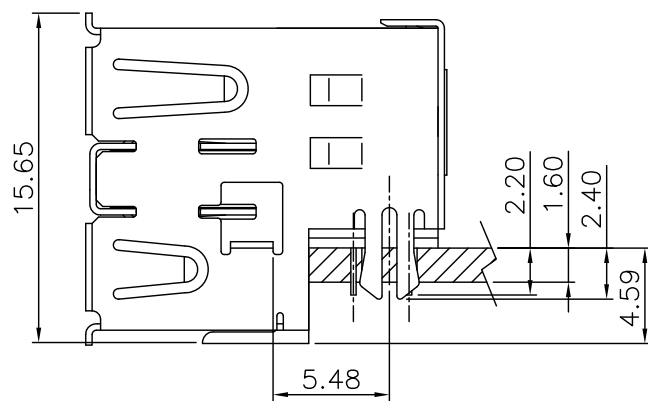


- NOTES:
- MATERIAL:
 HOUSING: PA9T WITH 30% GF, UL 94V-0 RATED, BLACK COLOR.
 SPACER: PA9T WITH 30% GF, UL 94V-0 RATED, BLACK COLOR.
 CONTACT: PHOSPHOR BRONZE.
 FRONT SHIELD: SUS.
 REAR SHIELD: SPCC.
 GROUNDING STRIP: SUS.
 - FINISH:
 CONTACT: 0.762µm [30µ"] MIN. GOLD PLATING ON CONTACT AREA,
 2.540µm [100µ"] MIN. BRIGHT TIN PLATING ON SOLDER TAILS,
 WITH ENTIRE CONTACT UNDERPLATED 1.27µm [50µ"] MIN. NICKEL.
 FRONT SHIELD: 0.762µm [30µ"] MIN. NICKEL PLATING OVERALL.
 REAR SHIELD: 0.762µm [30µ"] MIN. NICKEL PLATING,
 0.762µm [30µ"] MIN. Cu UNDER PLATING OVERALL.
 - REFLOW SOLDER CAPABLE TO 260°C PER TE SPEC 109-201, CONDITION B.

RECOMMEND P.C.B LAYOUT (THICKNESS 1.6mm)
 (COMPONENT SIDE) TOLERANCE ±0.05mm



DETAIL A
 SCALE 2:1



RECOMMENDED MOUNT DIMENSION

TAPE & REEL	4-1734062-3
PACKAGE	PART NUMBER

THIS DRAWING IS A CONTROLLED DOCUMENT.		DWN	TE Connectivity			
DIMENSIONS: MM		CHK				
TOLERANCES UNLESS OTHERWISE SPECIFIED:		APVD	NAME			
0 PLC ± - 1 PLC ± 0.35 2 PLC ± 0.25 3 PLC ± - 4 PLC ± - ANGLES ± 3°		PRODUCT SPEC	USB CONNECTOR, A SERIES, STACKED, OFFSET TYPE			
MATERIAL SEE NOTE		QUALIFICATION TEST REPORT	SIZE	CAGE CODE	DRAWING NO	RESTRICTED TO
FINISH SEE NOTE		WEIGHT 4.25 GRAMS	A3	00779	C-1734062	
		CUSTOMER DRAWING	SCALE	SHEET	7 OF 24	REV G4

4

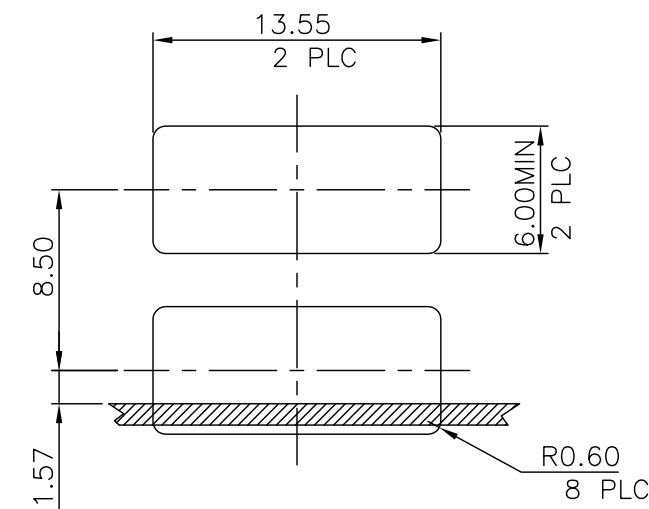
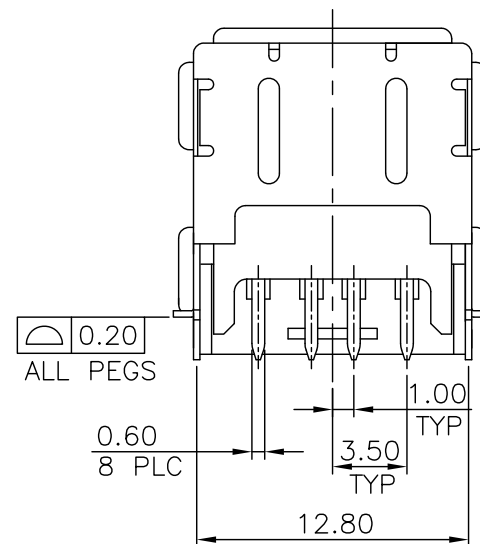
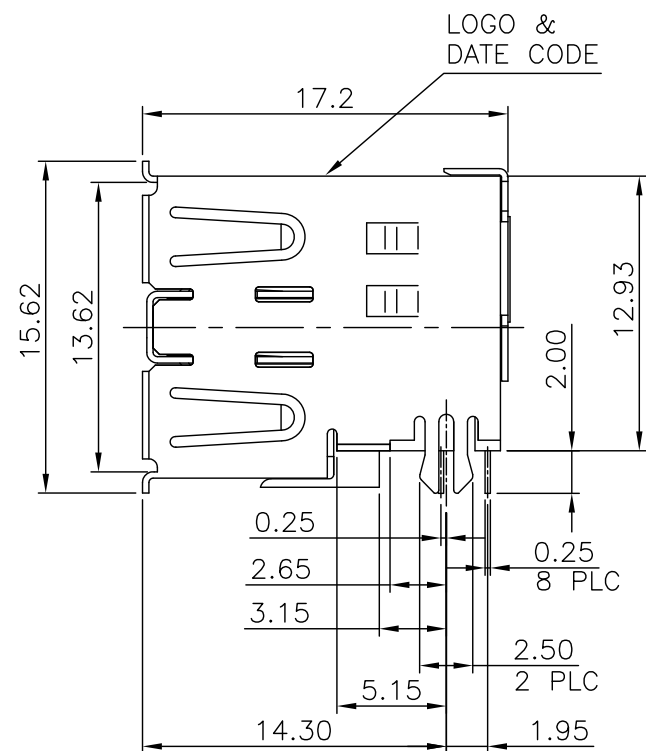
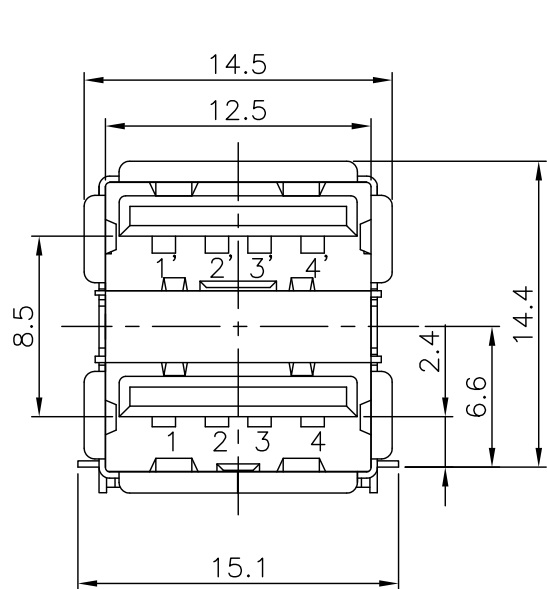
3

2

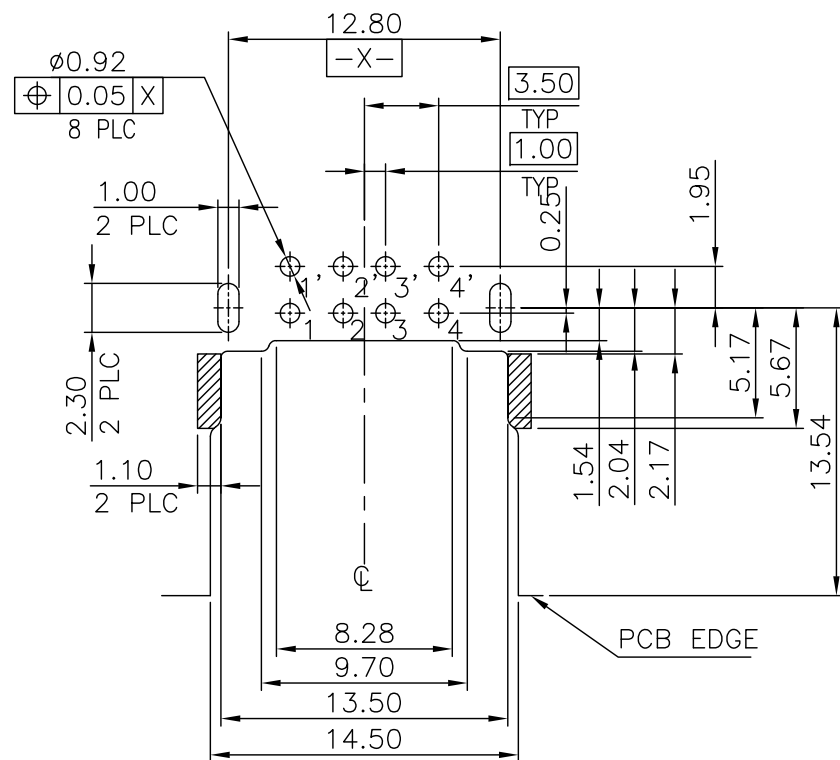
1

THIS DRAWING IS UNPUBLISHED. RELEASED FOR PUBLICATION
 © COPYRIGHT BY TYCO ELECTRONICS CORPORATION. ALL RIGHTS RESERVED.

LOC	DIST	REVISIONS					
DW		P	LTR	DESCRIPTION	DATE	DWN	APVD
				SEE SHEET 1.			



MOUNTING PANEL CUTOUT
(INTERNAL SIDE)



RECOMMEND P.C.B LAYOUT (THICKNESS 1.0mm)
(COMPONENT SIDE) TOLERANCE ±0.05mm

NOTES:

- MATERIAL:
 HOUSING: PA9T WITH 30% GF, UL 94V-0 RATED, BLACK COLOR.
 SPACER: PA9T WITH 30% GF, UL 94V-0 RATED, BLACK COLOR.
 CONTACT: PHOSPHOR BRONZE.
 FRONT SHIELD: BRASS.
 REAR SHIELD: SPCC.
 GROUNDING STRIP: BRASS.
- FINISH:
 CONTACT: 0.762µm [30µ"] MIN. GOLD PLATING ON CONTACT AREA.
 3.048µm [120µ"] MIN. BRIGHT-TIN PLATING ON SOLDER TAILS.
 WITH ENTIRE CONTACT UNDERPLATED 1.27µm [50µ"] MIN. NICKEL.
 FRONT SHIELD: 0.762µm [30µ"] MIN. NICKEL PLATING.
 0.762µm [30µ"] MIN. Cu UNDER PLATING OVERALL.
 REAR SHIELD: 0.762µm [30µ"] MIN. NICKEL PLATING.
 0.762µm [30µ"] MIN. Cu UNDER PLATING OVERALL.
 GROUNDING STRIP: 0.762µm [30µ"] MIN. NICKEL PLATING.
 0.762µm [30µ"] MIN. Cu UNDER PLATING OVERALL.
- REFLOW SOLDER CAPABLE TO 260°C PER TE SPEC 109-201, CONDITION B.

OBSOLETE	TRAY	5-1734062-2
OBSOLETE	TAPE & REEL	5-1734062-1
	PACKAGE	PART NUMBER

THIS DRAWING IS A CONTROLLED DOCUMENT.		DWN	TE Connectivity			
DIMENSIONS: MM		CHK				
TOLERANCES UNLESS OTHERWISE SPECIFIED:		APVD	NAME			
0 PLC ± - 1 PLC ± 0.35 2 PLC ± 0.25 3 PLC ± - 4 PLC ± - ANGLES ± 3°		PRODUCT SPEC	USB CONNECTOR, A SERIES, STACKED, OFFSET TYPE			
MATERIAL		QUALIFICATION TEST REPORT	SIZE	CAGE CODE	DRAWING NO	RESTRICTED TO
SEE NOTE		FINISH	A3 00779		C=1734062	
		WEIGHT	4.71 GRAMS		CUSTOMER DRAWING	
		SCALE	SHEET 8 OF 24		REV G4	

4

3

2

1

THIS DRAWING IS UNPUBLISHED.

RELEASED FOR PUBLICATION

©

COPYRIGHT BY TYCO ELECTRONICS CORPORATION. ALL RIGHTS RESERVED.

LOC

DIST

REVISIONS

DW

P

LTR

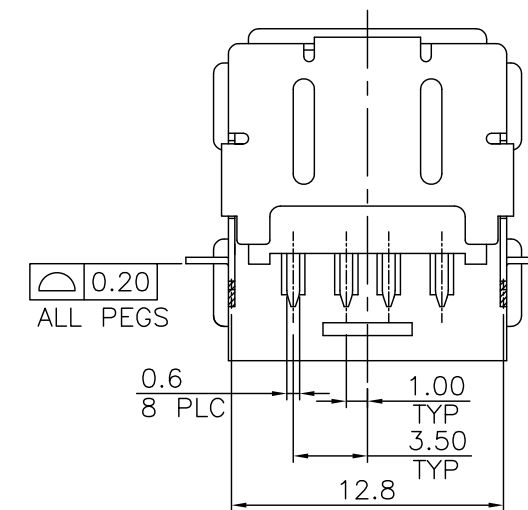
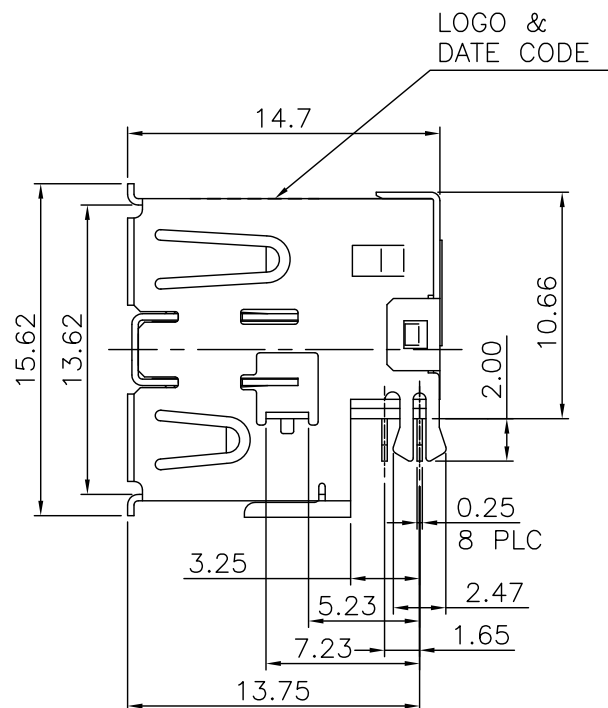
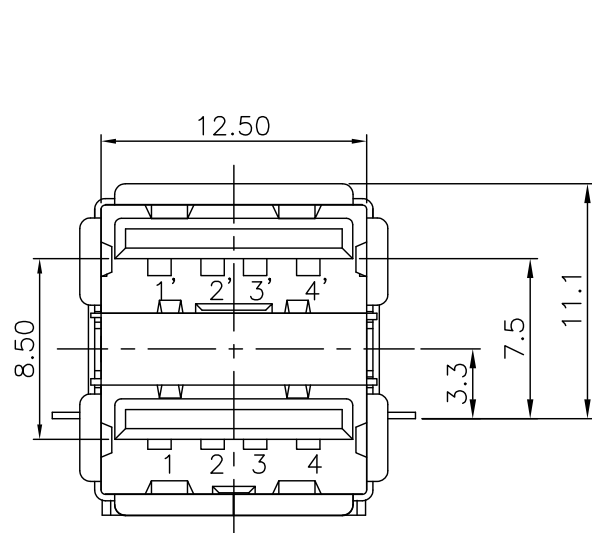
DESCRIPTION

DATE

DWN

APVD

SEE SHEET 1.



LOGO & DATE CODE

NOTES:

1.MATERIAL:

HOUSING: PA9T WITH 30% GF, UL 94V-0 RATED, BLACK COLOR.

SPACER: PA9T WITH 30% GF, UL 94V-0 RATED, BLACK COLOR.

CONTACT: PHOSPHOR BRONZE.

FRONT SHELL: BRASS.

REAR SHELL: SPCC.

GROUNDING STRIP: STAINLESS.

2.FINISH:

CONTACT: 0.762µm [30µ"] MIN. GOLD PLATING ON CONTACT AREA.

3.048µm [120µ"] MIN. BRIGHT TIN PLATING ON SOLDER TAILS,

WITH ENTIRE CONTACT UNDERPLATED 1.27µm [50µ"] MIN. NICKEL.

FRONT SHELL: 0.762µm [30µ"] MIN. NICKEL PLATED.

0.762µm [30µ"] MIN. Cu UNDERPLATING OVERALL.

REAR SHELL: 0.762µm [30µ"] MIN. NICKEL PLATED.

0.762µm [30µ"] MIN. Cu UNDERPLATING OVERALL.

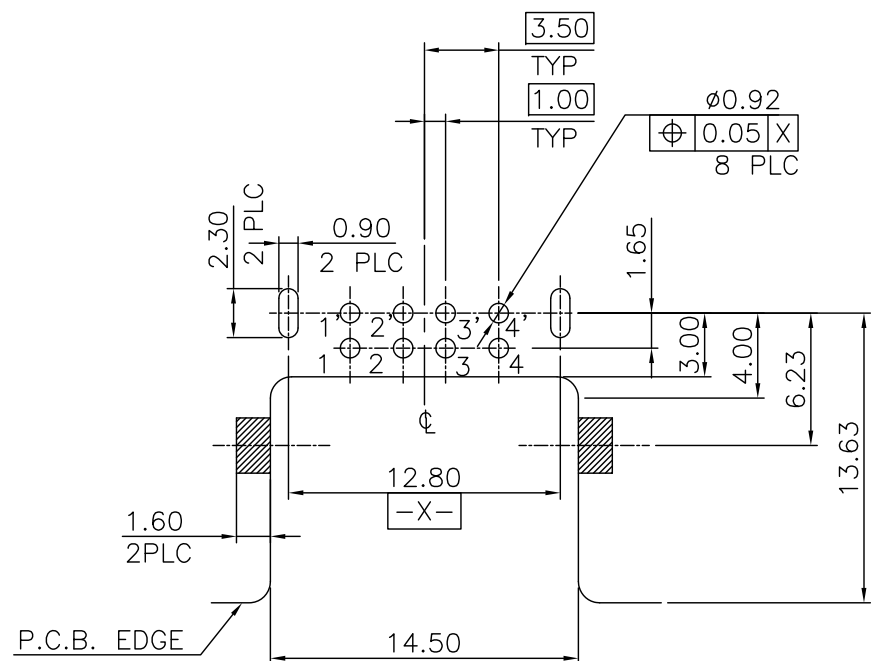
GROUNDING SHELL: 0.762µm [30µ"] MIN. NICKEL PLATED.

0.762µm [30µ"] MIN. Cu UNDERPLATING OVERALL.

3. REFLOW SOLDER CAPABLE TO 260°C PER TE

SPEC 109-201, CONDITION B.

OBSELETE	TAPE & REEL	6-1734062-1
	PACKAGE	PART NUMBER



RECOMMEND P.C.B LAYOUT (THICKNESS 1.2mm)
(COMPONENT SIDE) TOLERANCE ±0.05mm

THIS DRAWING IS A CONTROLLED DOCUMENT.		DWN	TE Connectivity			
DIMENSIONS: MM		CHK				
TOLERANCES UNLESS OTHERWISE SPECIFIED:		APVD	NAME			
0 PLC ± - 1 PLC ± 0.35 2 PLC ± 0.25 3 PLC ± - 4 PLC ± - ANGLES ± 3°		PRODUCT SPEC	USB CONNECTOR, A SERIES, STACKED, OFFSET TYPE			
MATERIAL		QUALIFICATION TEST REPORT	SIZE	CAGE CODE	DRAWING NO	RESTRICTED TO
SEE NOTE		FINISH	A300779		C=1734062	
		WEIGHT	4.71 GRAMS			
		CUSTOMER DRAWING	SCALE	SHEET	9 of 24	REV G4

4

3

2

1

THIS DRAWING IS UNPUBLISHED.

RELEASED FOR PUBLICATION

--

©

COPYRIGHT

BY TYCO ELECTRONICS CORPORATION.

ALL RIGHTS RESERVED.

LOC

DIST

REVISIONS

P

LTR

DESCRIPTION

DATE

DWN

APVD

SEE SHEET 1.

LOGO &
DATE CODE

NOTES:

- MATERIAL:
HOUSING: PA9T WITH 30% GF, UL 94V-0 RATED, BLACK COLOR.
CONTACT: PHOSPHOR BRONZE.
FRONT SHIELD: BRASS.
REAR SHIELD: SPCC.
GROUNDING STRIP: BRASS.
- FINISH:
CONTACT: $0.762\mu\text{m}$ [30μ] MIN. GOLD PLATING ON CONTACT AREA.
 $3.048\mu\text{m}$ [120μ] MIN. BRIGHT TIN PLATING ON SOLDERTAILS.
WITH ENTIRE CONTACT UNDERPLATED $1.27\mu\text{m}$ [50μ] MIN. NICKEL.
FRONT SHELL: $0.762\mu\text{m}$ [30μ] MIN. NICKEL PLATED.
 $0.762\mu\text{m}$ [30μ] MIN. Cu UNDERPLATING OVERALL.
REAR SHELL: $0.762\mu\text{m}$ [30μ] MIN. NICKEL PLATED.
 $0.762\mu\text{m}$ [30μ] MIN. Cu UNDERPLATING OVERALL.
GROUNDING STRIP: $0.762\mu\text{m}$ [30μ] MIN. NICKEL PLATING.
 $0.762\mu\text{m}$ [30μ] MIN. Cu UNDER PLATING OVERALL.
- REFLOW SOLDER CAPABLE TO 260°C PER TE SPEC 109-201, CONDITION B.

RECOMMEND P.C.B LAYOUT (THICKNESS 1.2mm)
(COMPONENT SIDE) TOLERANCE $\pm 0.05\text{mm}$

OBSOLETE	TAPE & REEL	7-1734062-1
	PACKAGE	PART NUMBER

THIS DRAWING IS A CONTROLLED DOCUMENT.

DWN

CHK

APVD

PRODUCT SPEC

QUALIFICATION TEST REPORT

WEIGHT

4.3 GRAMS

CUSTOMER DRAWING

NAME

USB CONNECTOR, A SERIES,
STACKED, OFFSET TYPE

SIZE

CAGE CODE

DRAWING NO

RESTRICTED TO

A300779

C=1734062

SCALE

SHEET

10 OF 24

REV

G4

DIMENSIONS:

MM

TOLERANCES UNLESS OTHERWISE SPECIFIED:

0 PLC	$\pm -$
1 PLC	± 0.35
2 PLC	± 0.25
3 PLC	$\pm -$
4 PLC	$\pm -$
ANGLES	$\pm 3'$

MATERIAL

SEE NOTE

FINISH

SEE NOTE

AMP 1470-19 REV 31MAR2000

4

3

2

1

THIS DRAWING IS UNPUBLISHED.

RELEASED FOR PUBLICATION

-- --

© COPYRIGHT BY TYCO ELECTRONICS CORPORATION.

ALL RIGHTS RESERVED.

LOC	DIST	REVISIONS			
P	LTR	DESCRIPTION	DATE	DWN	APVD
DW		SEE SHEET 1.			

NOTE:

- MATERIAL:
HOUSING: PA9T WITH 30% GF, UL 94V-0 RATED, BLACK COLOR.
SPACER: PA9T WITH 30% GF, UL 94V-0 RATED, BLACK COLOR.
CONTACT: PHOSPHOR BRONZE.
FRONT SHIELD: BRASS.
GROUNDING STRIP: BRASS.
- FINISH:
CONTACT: 0.762 μ m [30 μ "] MIN. GOLD PLATING ON CONTACT AREA.
3.048 μ m [120 μ "] MIN. BRIGHT TIN PLATING ON SOLDER TAIL, WITH ENTIRE CONTACT UNDERPLATED 1.27 μ m [50 μ "] MIN. NICKEL.
FRONT SHELL: 0.762 μ m [30 μ "] MIN. NICKEL PLATED.
0.762 μ m [30 μ "] MIN. Cu UNDERPLATING OVERALL.
GROUNDING STRIP: 0.762 μ m [30 μ "] MIN. NICKEL PLATING.
0.762 μ m [30 μ "] MIN. Cu UNDER PLATING OVERALL.
- REFLOW SOLDER CAPABLE TO 260°C PER TE SPEC 109-201, CONDITION B.

RECOMMEND P.C.B LAYOUT (THICKNESS 1.2mm)
(COMPONENT SIDE) TOLERANCE ± 0.05 mm

OBSOLETE	TAPE & REEL	8-1734062-1
	PACKAGE	PART NUMBER

THIS DRAWING IS A CONTROLLED DOCUMENT.		DWN	TE Connectivity													
DIMENSIONS: MM		CHK														
TOLERANCES UNLESS OTHERWISE SPECIFIED:		APVD	NAME													
<table border="1"> <tr> <td>0 PLC</td> <td>$\pm -$</td> </tr> <tr> <td>1 PLC</td> <td>± 0.35</td> </tr> <tr> <td>2 PLC</td> <td>± 0.25</td> </tr> <tr> <td>3 PLC</td> <td>$\pm -$</td> </tr> <tr> <td>4 PLC</td> <td>$\pm -$</td> </tr> <tr> <td>ANGLES</td> <td>$\pm 3'$</td> </tr> </table>		0 PLC	$\pm -$	1 PLC	± 0.35	2 PLC	± 0.25	3 PLC	$\pm -$	4 PLC	$\pm -$	ANGLES	$\pm 3'$	PRODUCT SPEC	USB CONNECTOR, A SERIES, STACKED, OFFSET TYPE	
0 PLC	$\pm -$															
1 PLC	± 0.35															
2 PLC	± 0.25															
3 PLC	$\pm -$															
4 PLC	$\pm -$															
ANGLES	$\pm 3'$															
MATERIAL		QUALIFICATION TEST REPORT	SIZE	CAGE CODE												
SEE NOTE		FINISH	SEE NOTE	DRAWING NO												
		WEIGHT	4.3 GRAMS	A300779												
		CUSTOMER DRAWING	C=1734062													
		SCALE	SHEET	REV												
			11 OF 24	G4												

AMP 1470-19 REV 31MAR2000

4

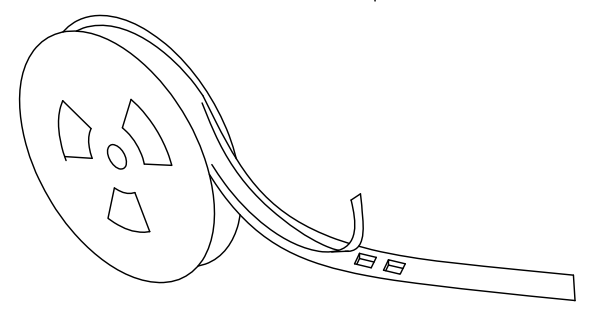
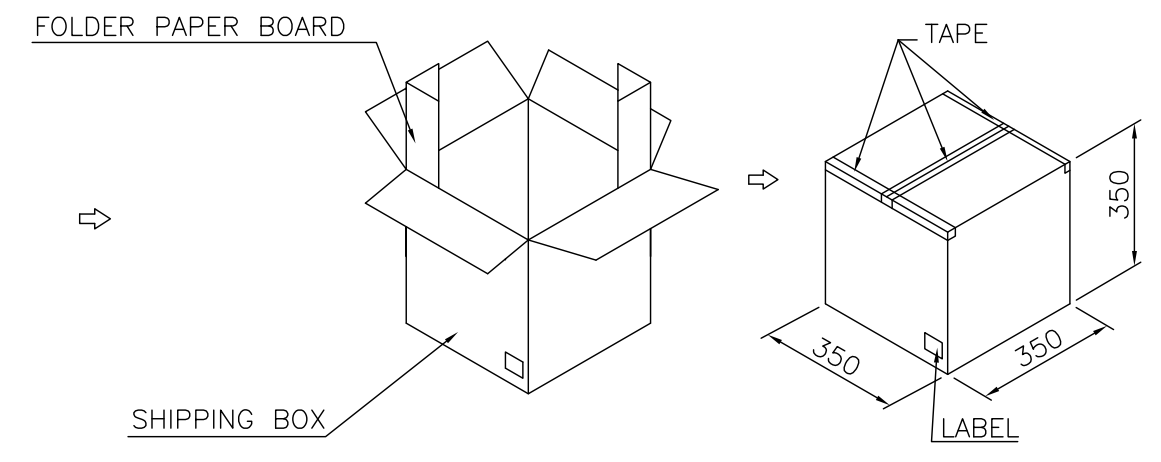
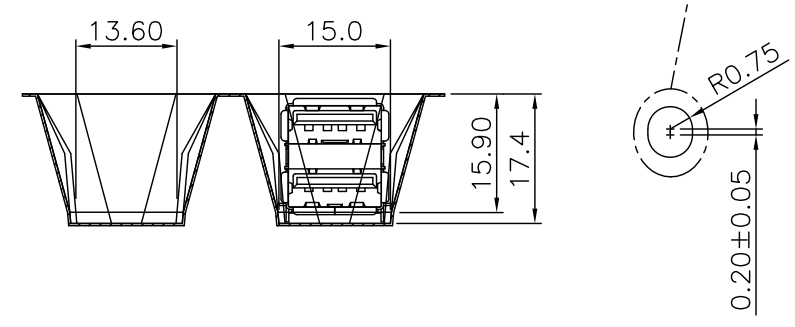
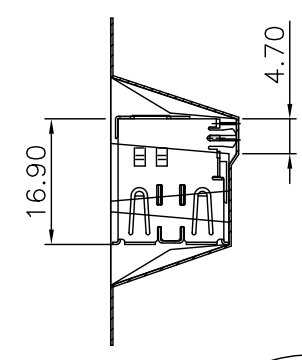
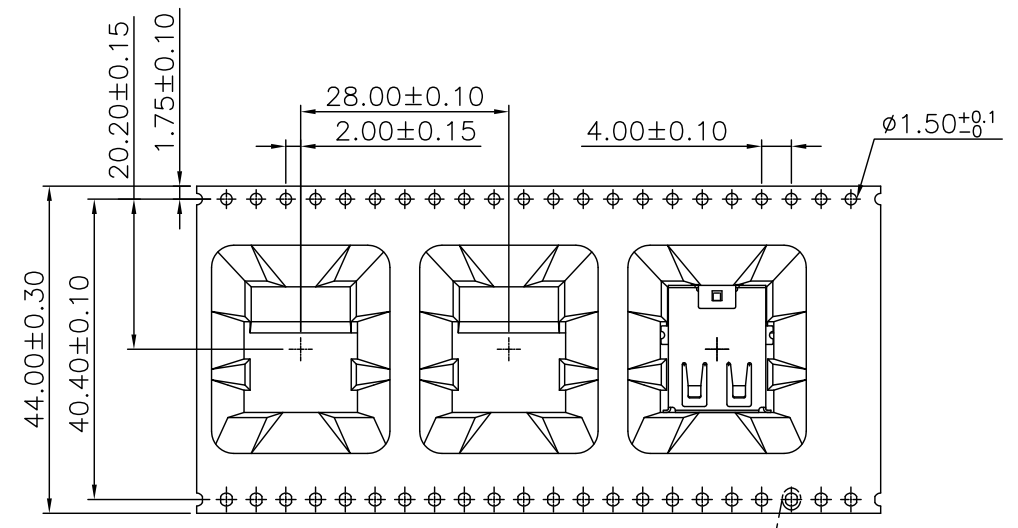
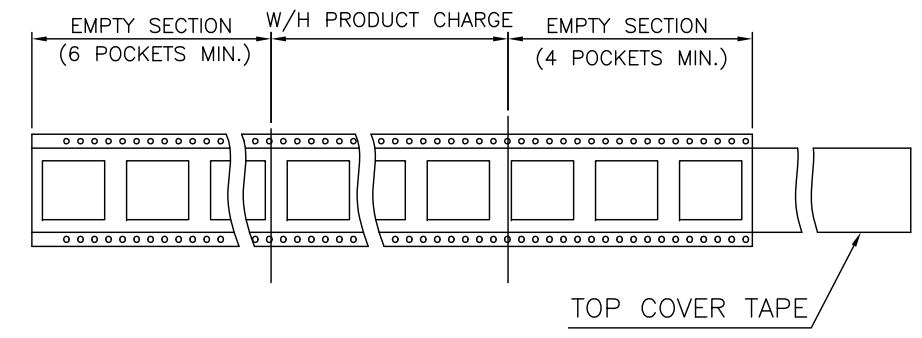
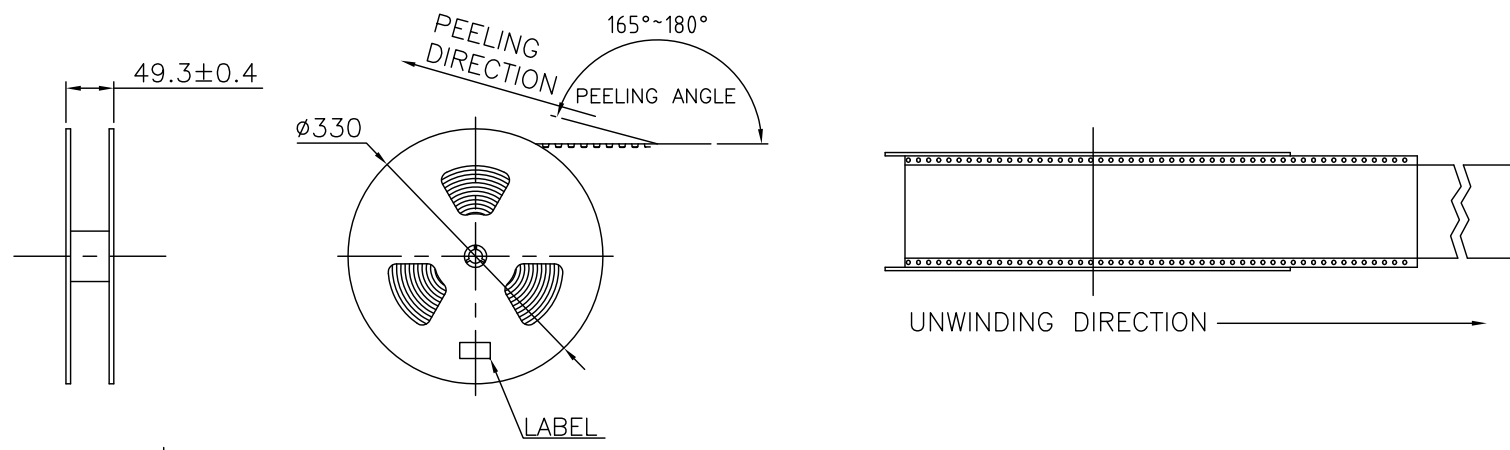
3

2

1

THIS DRAWING IS UNPUBLISHED. RELEASED FOR PUBLICATION
 © COPYRIGHT BY TYCO ELECTRONICS CORPORATION. ALL RIGHTS RESERVED.

LOC	DIST	REVISIONS					
DW		P	LTR	DESCRIPTION	DATE	DWN	APVD
				SEE SHEET 1.			



140	7	980	8.60	4.62	1-1734062-1
PCS/REEL	REELS/BOX	QUANTITY (PCS)	G/W (Kg)	N/W (Kg)	PART NUMBER

THIS DRAWING IS A CONTROLLED DOCUMENT.		DWN	TE Connectivity		
DIMENSIONS: MM		CHK	NAME		
TOLERANCES UNLESS OTHERWISE SPECIFIED:		APVD	USB CONNECTOR, A SERIES, STACKED, OFFSET TYPE		
0 PLC $\pm -$		PRODUCT SPEC	SIZE		
1 PLC $\pm -$		APPLICATION SPEC	CAGE CODE	DRAWING NO	RESTRICTED TO
2 PLC $\pm -$		WEIGHT	A300779	C=1734062	
3 PLC $\pm -$			CUSTOMER DRAWING		
4 PLC $\pm -$			SCALE	SHEET	REV
ANGLES $\pm -$				12 of 24	G4
FINISH					

4

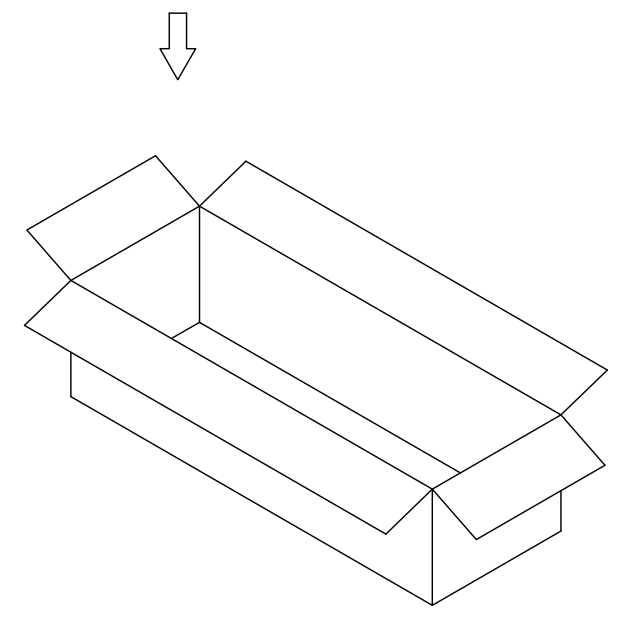
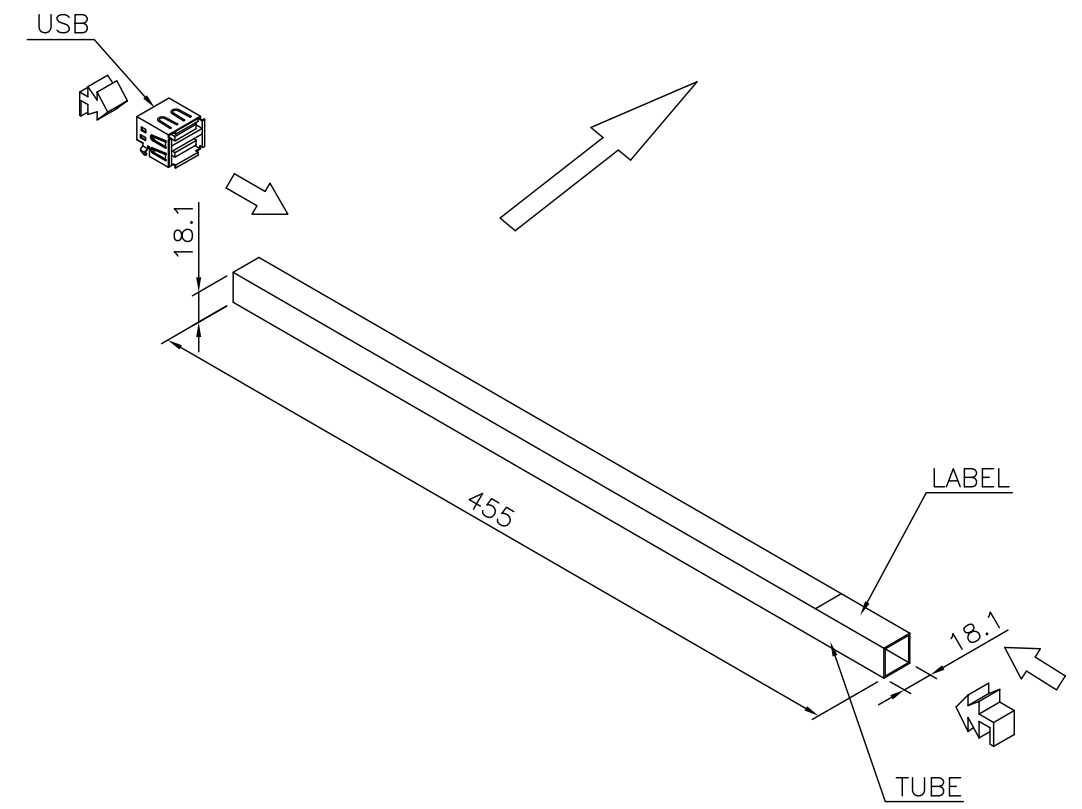
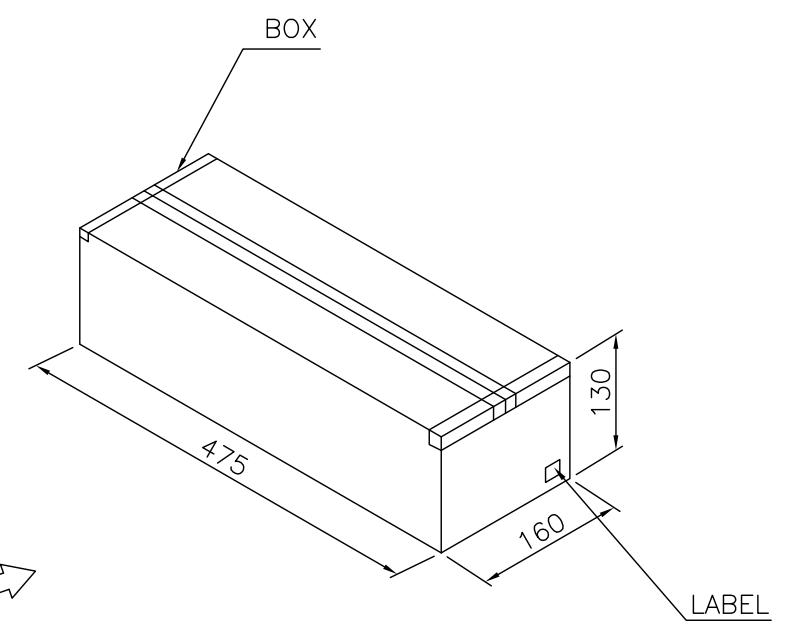
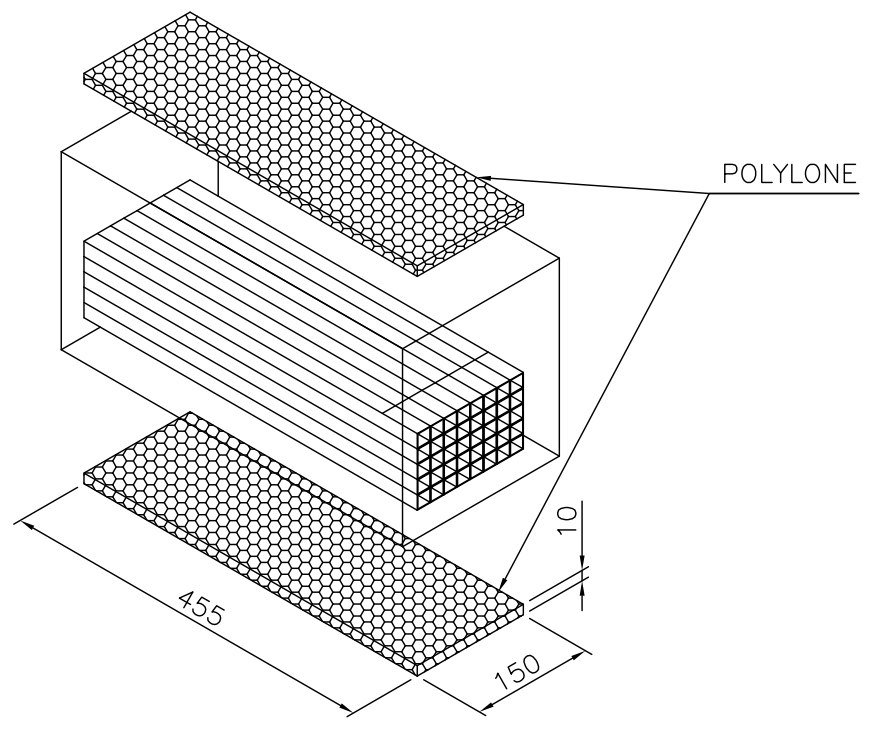
3

2

1

THIS DRAWING IS UNPUBLISHED. RELEASED FOR PUBLICATION
 © COPYRIGHT BY TYCO ELECTRONICS CORPORATION. ALL RIGHTS RESERVED.

LOC	DIST	REVISIONS					
DW		P	LTR	DESCRIPTION	DATE	DWN	APVD
				SEE SHEET 1.			



24	40	960	6.10	4.52	3-1734062-2
					1-1734062-2
					1734062-2
PCS/TUBE	TUBS INNER BOX	QUANTITY (PCS)	G/W (Kg)	N/W (Kg)	PART NUMBER

THIS DRAWING IS A CONTROLLED DOCUMENT.		DWN	STE TE Connectivity		
DIMENSIONS: MM		CHK			
TOLERANCES UNLESS OTHERWISE SPECIFIED:		APVD	NAME		
0 PLC ± -		PRODUCT SPEC	USB CONNECTOR, A SERIES, STACKED, OFFSET TYPE		
1 PLC ± -		APPLICATION SPEC	SIZE	CAGE CODE	DRAWING NO
2 PLC ± -		WEIGHT	A3	00779	C=1734062
3 PLC ± -		CUSTOMER DRAWING	SCALE	SHEET	RESTRICTED TO
4 PLC ± -				13 of 24	
ANGLES ± -				REV	G4
MATERIAL					
FINISH					

4

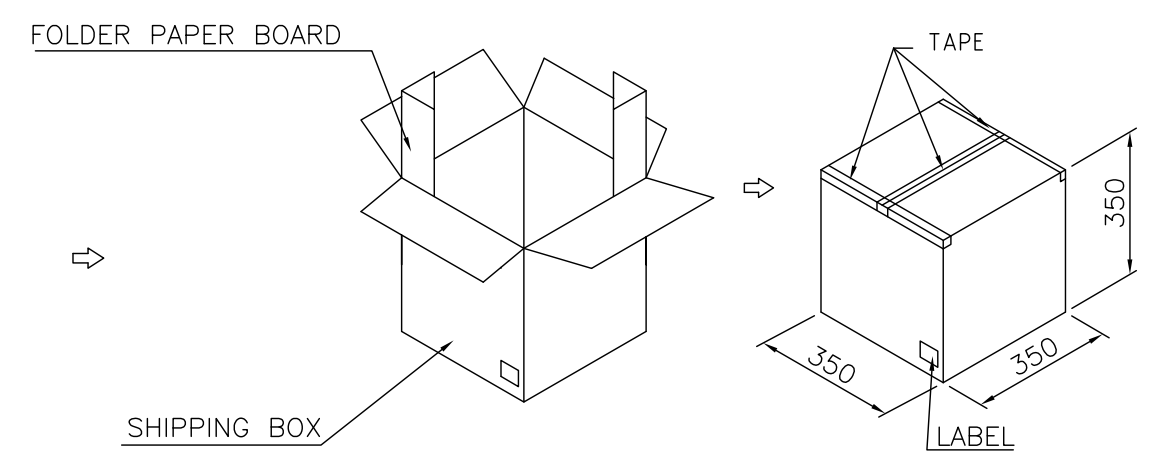
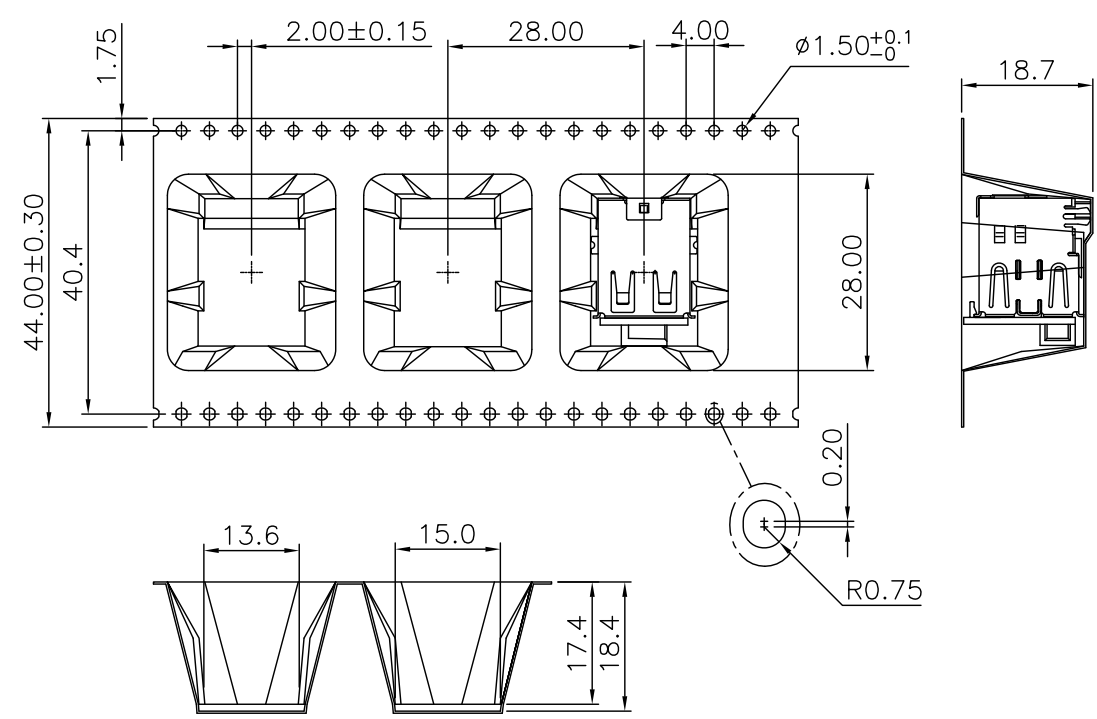
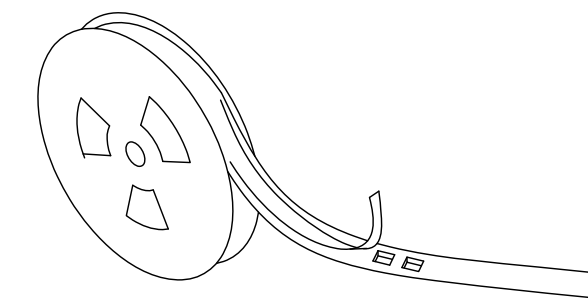
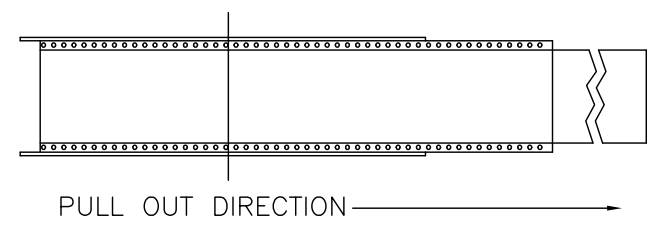
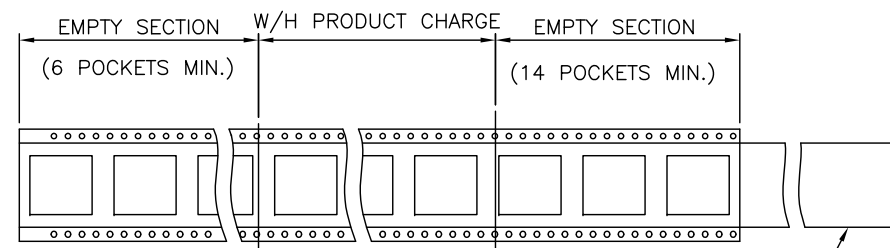
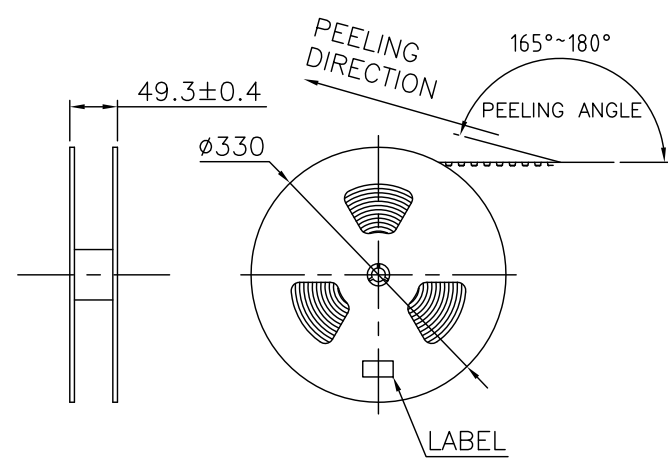
3

2

1

THIS DRAWING IS UNPUBLISHED. RELEASED FOR PUBLICATION
 © COPYRIGHT BY TYCO ELECTRONICS CORPORATION. ALL RIGHTS RESERVED.

LOC	DIST	REVISIONS					
DW		P	LTR	DESCRIPTION	DATE	DWN	APVD
				SEE SHEET 1.			



100	7	700	7.28	3.30	1734062-3
PCS/REEL	REELS/BOX	QUANTITY (PCS)	G/W (Kg)	N/W (Kg)	PART NUMBER

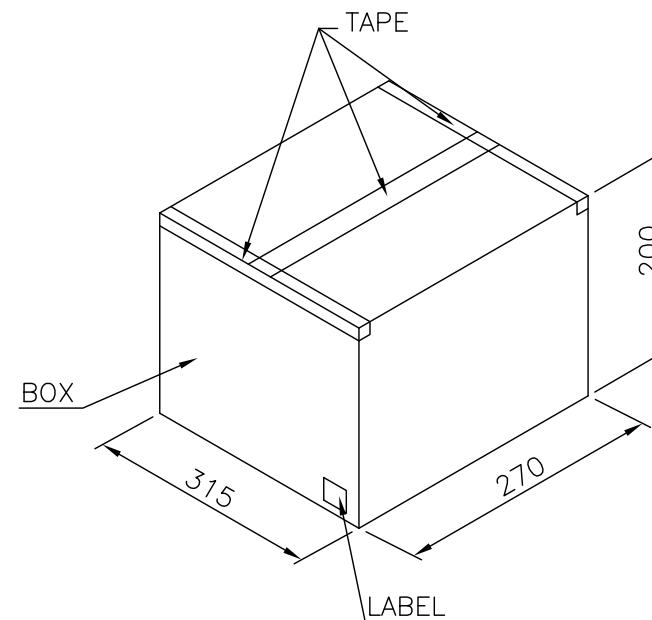
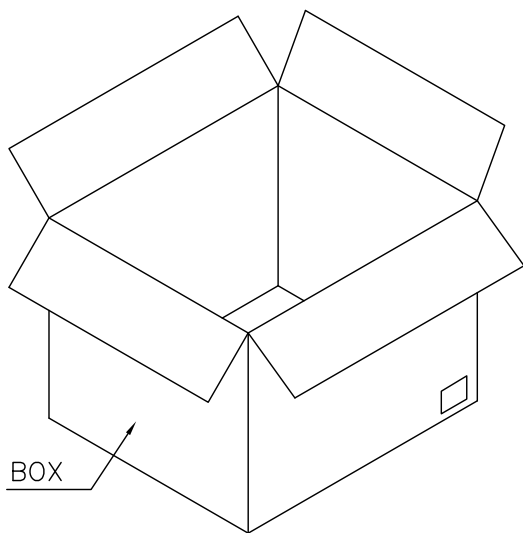
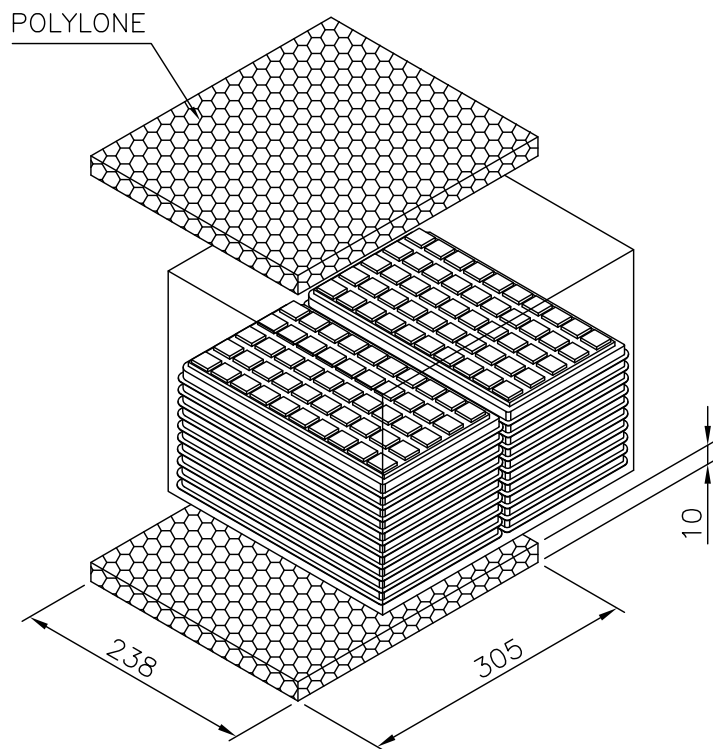
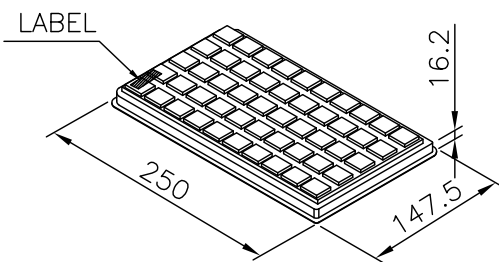
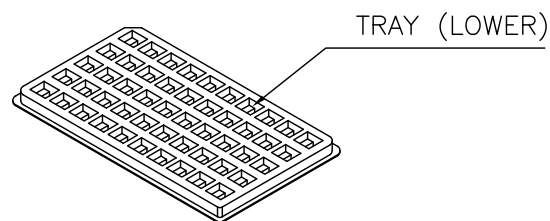
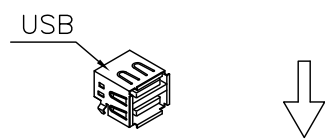
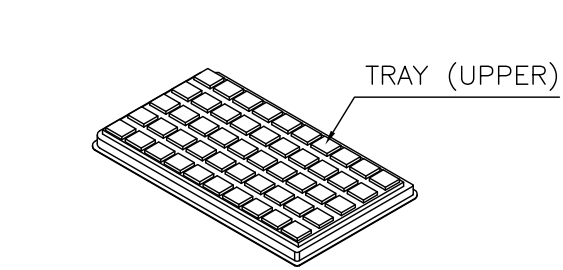
THIS DRAWING IS A CONTROLLED DOCUMENT.		DWN	STE TE Connectivity		
DIMENSIONS: MM		CHK			
TOLERANCES UNLESS OTHERWISE SPECIFIED:		APVD	NAME		
0 PLC ± -		PRODUCT SPEC	USB CONNECTOR, A SERIES, STACKED, OFFSET TYPE		
1 PLC ± -		APPLICATION SPEC	SIZE	CAGE CODE	DRAWING NO
2 PLC ± -		WEIGHT	A3	00779	C=1734062
3 PLC ± -		CUSTOMER DRAWING	RESTRICTED TO		
4 PLC ± -		SCALE	SHEET 14 of 24		
ANGLES ± -		FINISH	REV G4		
MATERIAL					

THIS DRAWING IS UNPUBLISHED.

RELEASED FOR PUBLICATION

© COPYRIGHT BY TYCO ELECTRONICS CORPORATION. ALL RIGHTS RESERVED.

LOC	DIST	REVISIONS				
P	LTR	DESCRIPTION	DATE	DWN	APVD	
DW	/	SEE SHEET 1.				



50	20	1000	6.82	4.71	2-1734062-2
PCS/ TRAY	TRAY/ BOX	QUANTITY (PCS)	G/W (Kg)	N/W (Kg)	PART NUMBER

THIS DRAWING IS A CONTROLLED DOCUMENT.		DWN	TE Connectivity			
DIMENSIONS: MM		CHK				
TOLERANCES UNLESS OTHERWISE SPECIFIED: 0 PLC ± - 1 PLC ± - 2 PLC ± - 3 PLC ± - 4 PLC ± - ANGLES ± -		APVD	NAME			
MATERIAL		PRODUCT SPEC	USB CONNECTOR, A SERIES, STACKED, OFFSET TYPE			
FINISH		APPLICATION SPEC	SIZE	CAGE CODE	DRAWING NO	RESTRICTED TO
		WEIGHT	A3	00779	C=1734062	
CUSTOMER DRAWING			SCALE	SHEET	REV	
				15 of 24	G4	

4

3

2

1

THIS DRAWING IS UNPUBLISHED.

RELEASED FOR PUBLICATION

© COPYRIGHT BY TYCO ELECTRONICS CORPORATION. ALL RIGHTS RESERVED.

LOC

DIST

REVISIONS

DW

P

LTR

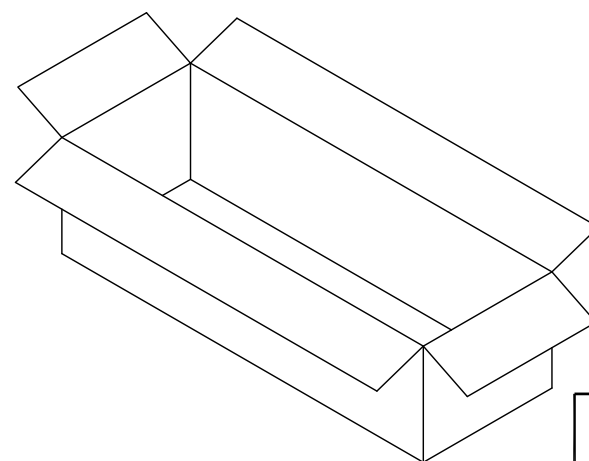
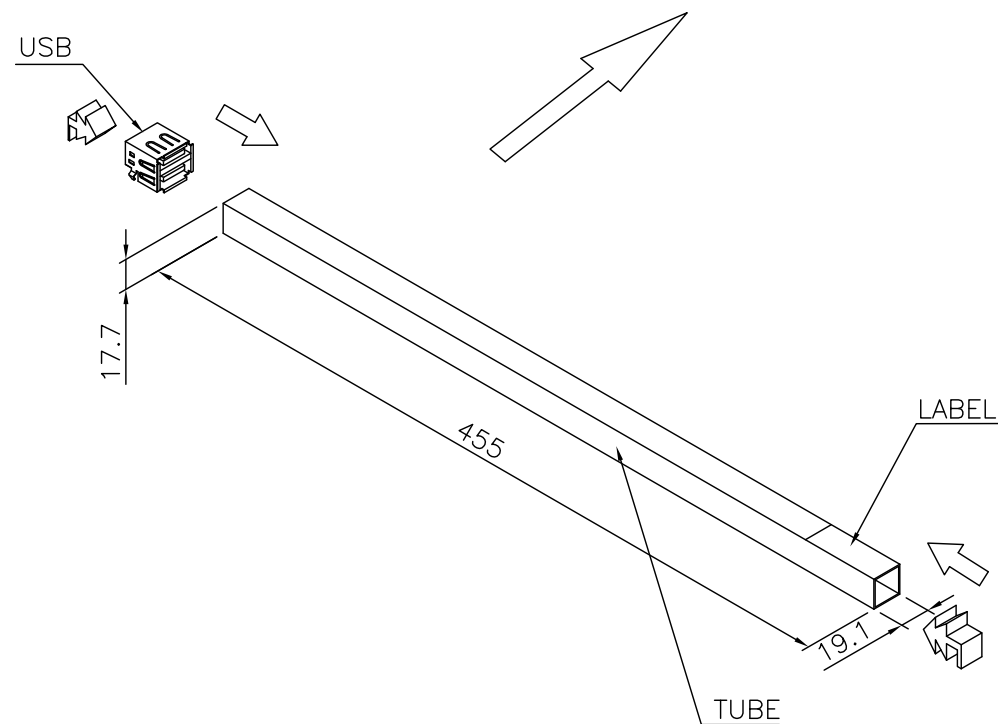
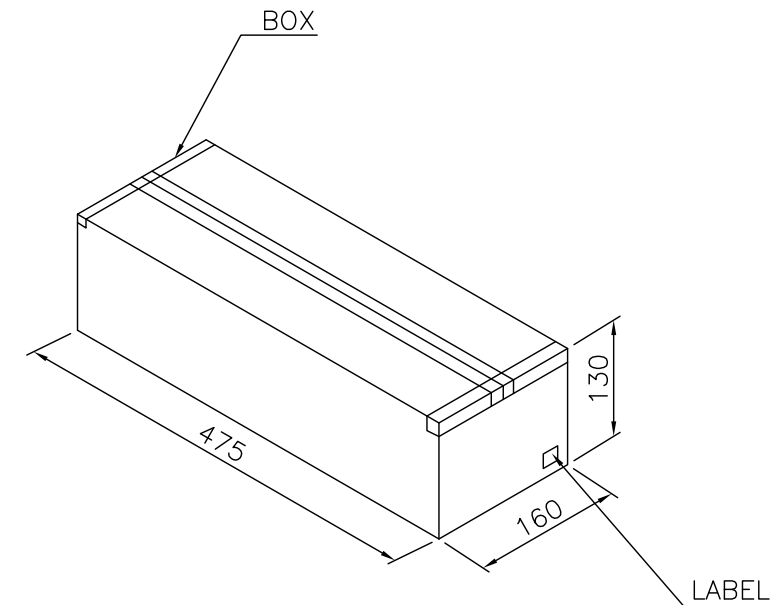
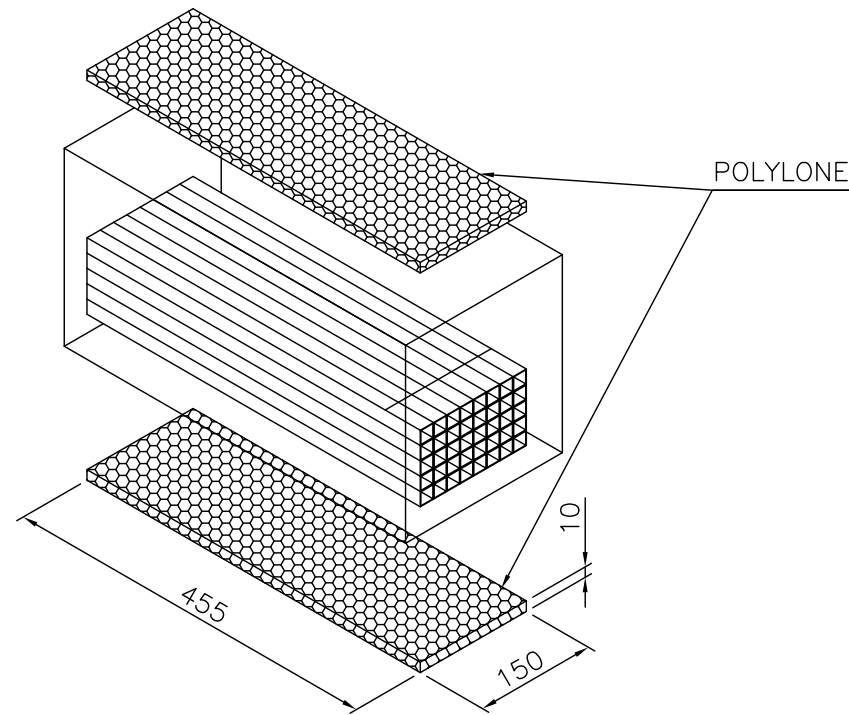
DESCRIPTION

DATE

DWN

APVD

SEE SHEET 1.



25	40	1000	6.27	4.71	4-1734062-1	OBSOLETE
					2-1734062-1	
PCS/TUBE	TUBS INNER BOX	QUANTITY (PCS)	G/W (Kg)	N/W (Kg)	PART NUMBER	

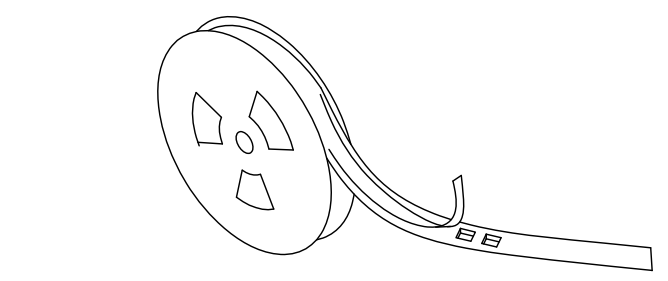
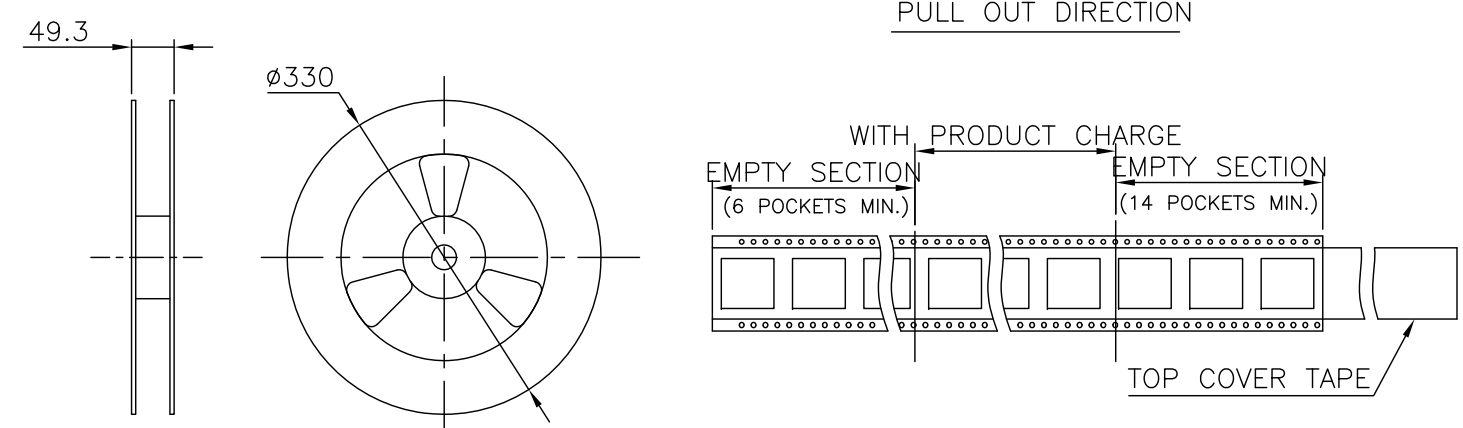
THIS DRAWING IS A CONTROLLED DOCUMENT.		DWN	TE Connectivity			
DIMENSIONS: MM		CHK				
TOLERANCES UNLESS OTHERWISE SPECIFIED:		APVD	NAME			
0 PLC ± -		PRODUCT SPEC	USB CONNECTOR, A SERIES, STACKED, OFFSET TYPE			
1 PLC ± -		APPLICATION SPEC	SIZE	CAGE CODE	DRAWING NO	RESTRICTED TO
2 PLC ± -			A3	00779	C=1734062	
3 PLC ± -		WEIGHT	CUSTOMER DRAWING			
4 PLC ± -			SCALE	SHEET	REV	
ANGLES ± -				16 of 24	G4	
MATERIAL	FINISH					

THIS DRAWING IS UNPUBLISHED. RELEASED FOR PUBLICATION
 © COPYRIGHT BY TYCO ELECTRONICS CORPORATION. ALL RIGHTS RESERVED.

LOC	DIST	REVISIONS					
DW	-	P	LTR	DESCRIPTION	DATE	DWN	APVD
				SEE SHEET 1.			

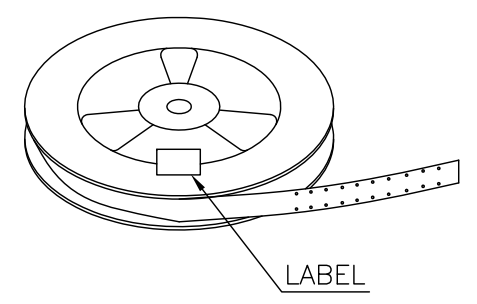
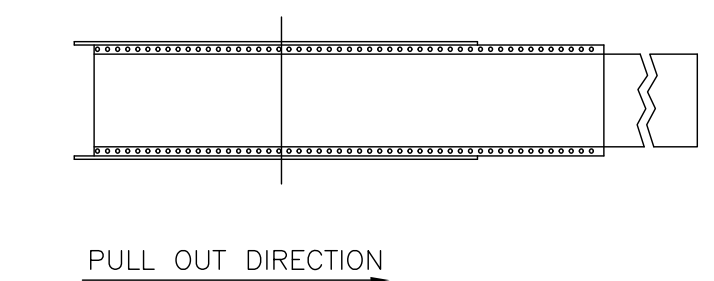
D

D



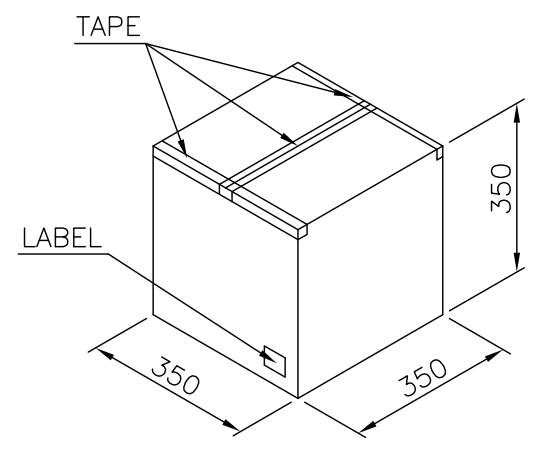
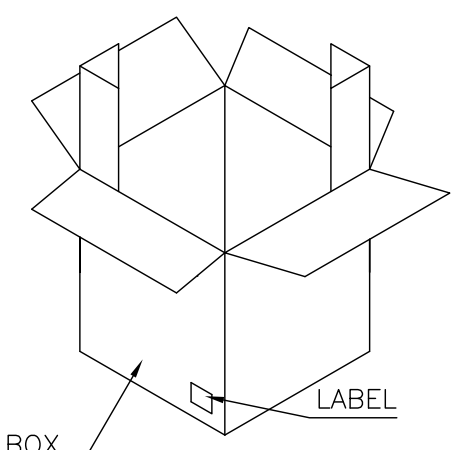
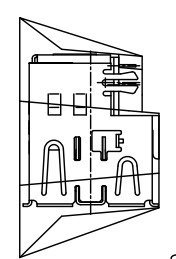
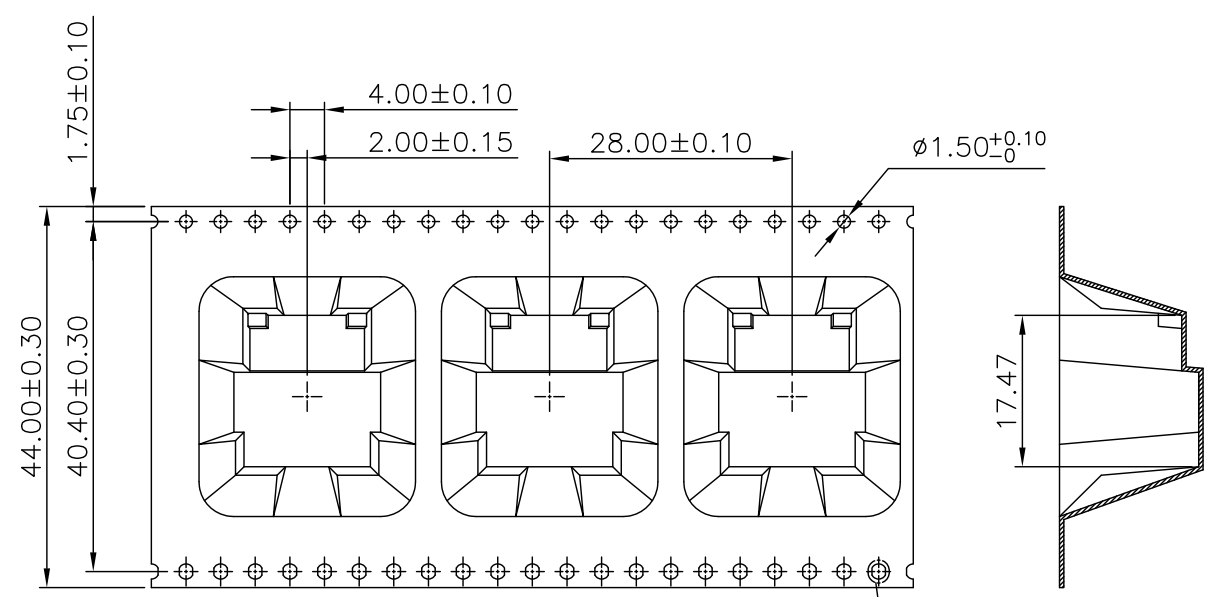
C

C



B

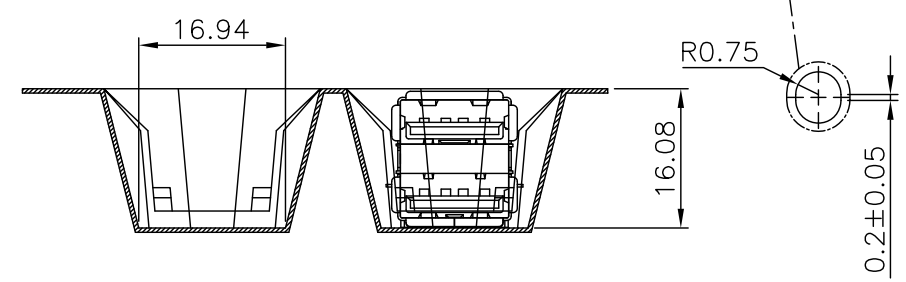
B



SHIPPING BOX
7 REELS / SHIPPING BOX

A

A



120	7	840	9.05	3.96	3-1734062-4
					3-1734062-3
PCS/ REEL	REELS/ BOX	QUANTITY (PCS)	G/W (Kg)	N/W (Kg)	PART NUMBER

THIS DRAWING IS A CONTROLLED DOCUMENT.		DWN		TE Connectivity NAME USB CONNECTOR, A SERIES, STACKED, OFFSET TYPE	
DIMENSIONS: MM		CHK			
TOLERANCES UNLESS OTHERWISE SPECIFIED: 0 PLC ± - 1 PLC ± - 2 PLC ± - 3 PLC ± - 4 PLC ± - ANGLES ± -		APVD			
MATERIAL		PRODUCT SPEC			
FINISH		APPLICATION SPEC		SIZE	RESTRICTED TO
		WEIGHT		A3	
		CUSTOMER DRAWING		CAGE CODE	DRAWING NO
				00779	1734062
				SCALE	SHEET
				-	17 of 24
				REV	G4

4

3

2

1

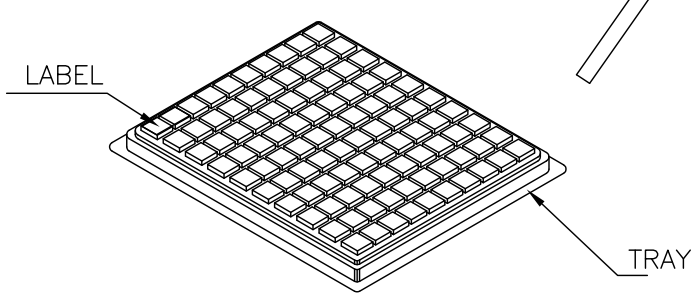
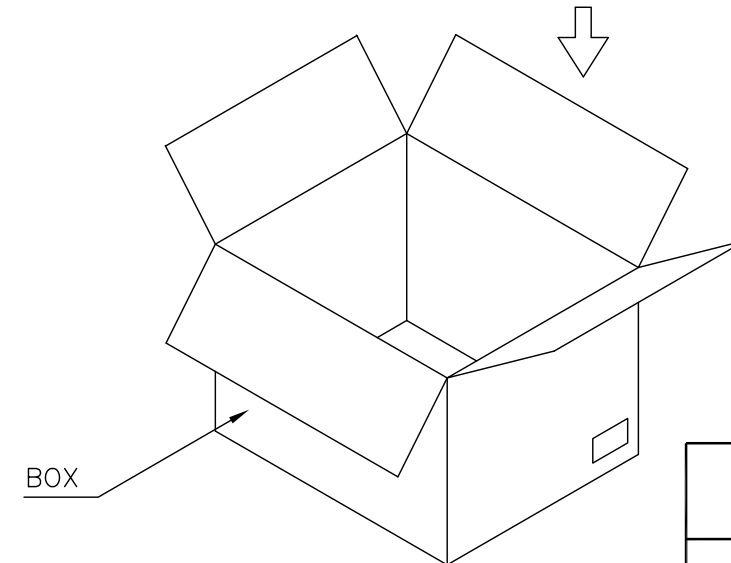
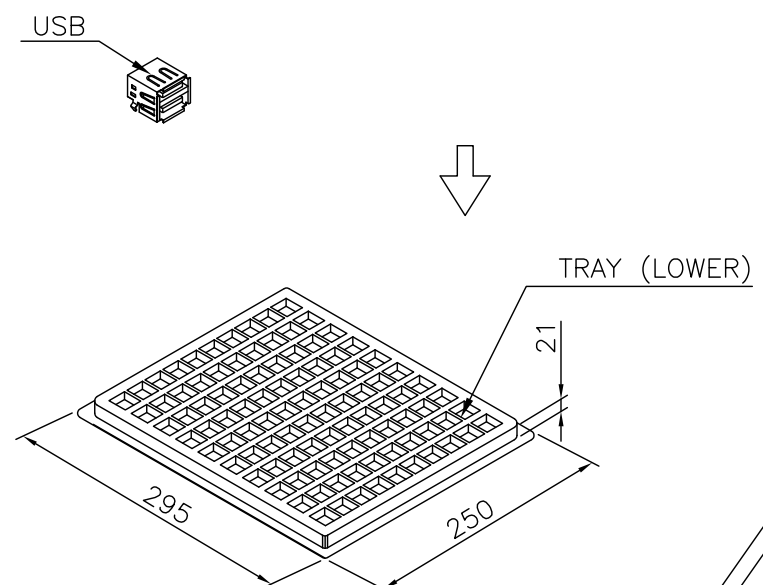
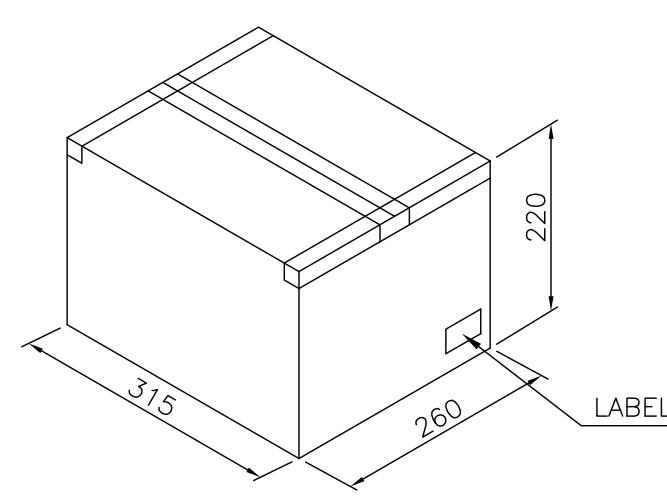
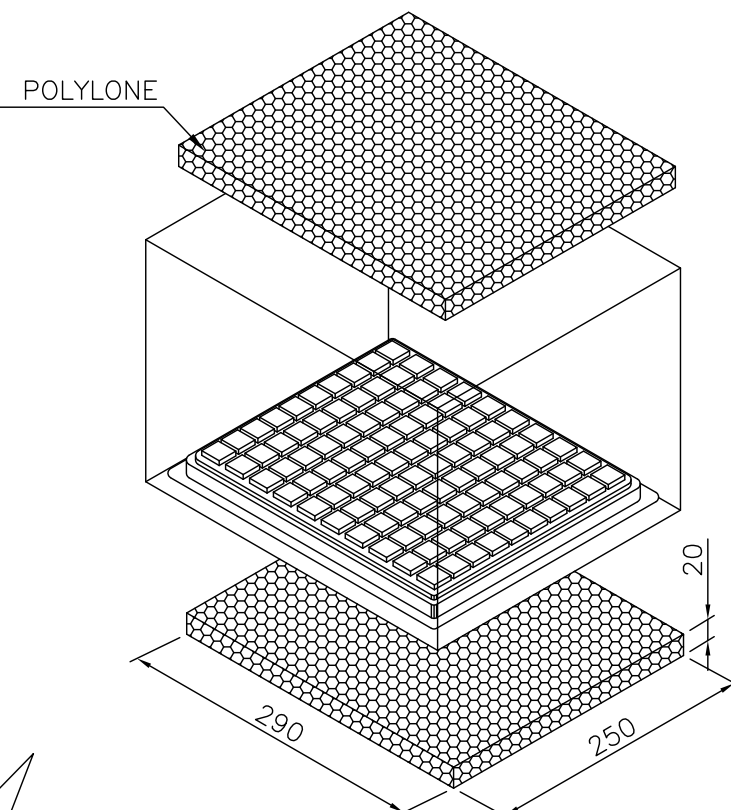
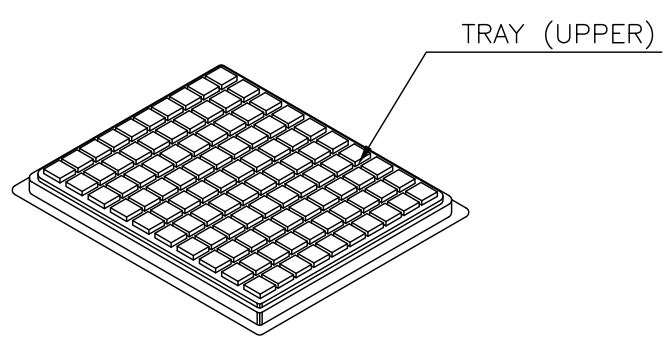
THIS DRAWING IS UNPUBLISHED.

RELEASED FOR PUBLICATION

- , - .

© COPYRIGHT BY TYCO ELECTRONICS CORPORATION. ALL RIGHTS RESERVED.

LOC	DIST	REVISIONS			
P	LTR	DESCRIPTION	DATE	DWN	APVD
		SEE SHEET 1.			



100	10	1000	6.27	4.71	5-1734062-2	OBSOLETE
PCS/TRAY	TRAY/BOX	QUANTITY (PCS)	G/W (Kg)	N/W (Kg)	PART NUMBER	
					3-1734062-1	

THIS DRAWING IS A CONTROLLED DOCUMENT.		DWN		TE Connectivity		
DIMENSIONS: MM		CHK				
		APVD		NAME		
TOLERANCES UNLESS OTHERWISE SPECIFIED:		PRODUCT SPEC		USB CONNECTOR, A SERIES, STACKED, OFFSET TYPE		
0 PLC ± - 1 PLC ± - 2 PLC ± - 3 PLC ± - 4 PLC ± - ANGLES ± -		APPLICATION SPEC		RESTRICTED TO		
MATERIAL		WEIGHT		SIZE	CAGE CODE	DRAWING NO
FINISH		-		A3	00779	C=1734062
CUSTOMER DRAWING				SCALE	SHEET	REV
				-	18 of 24	G4

4

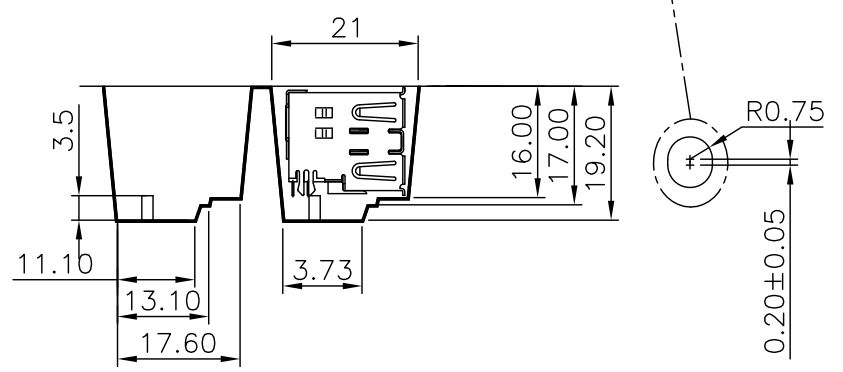
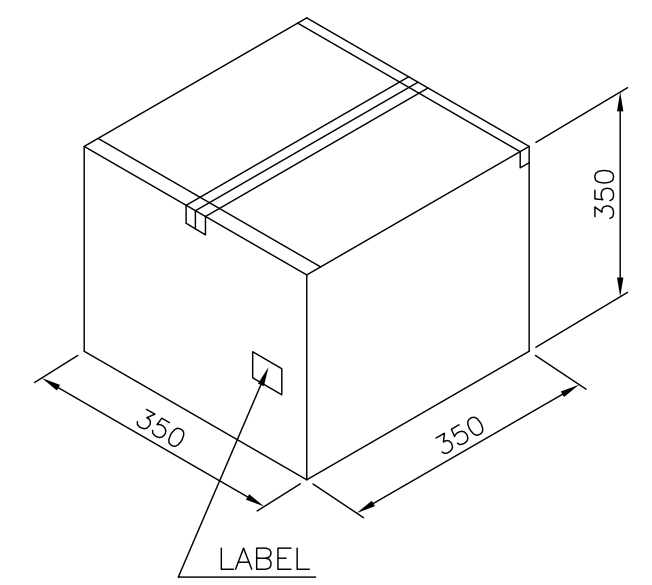
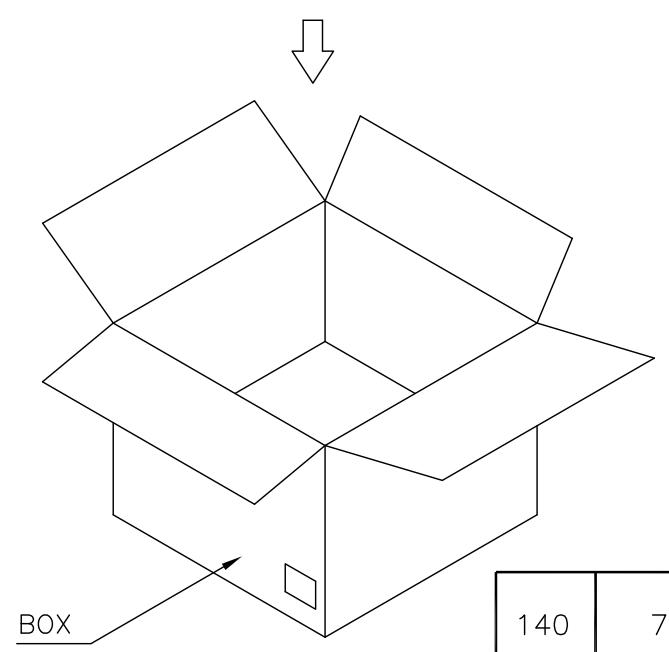
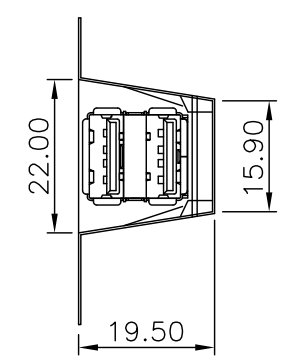
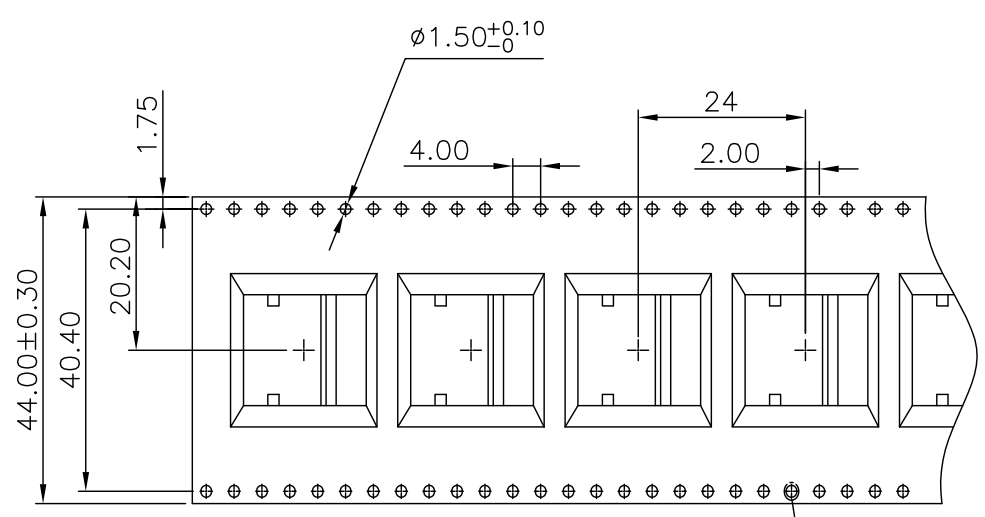
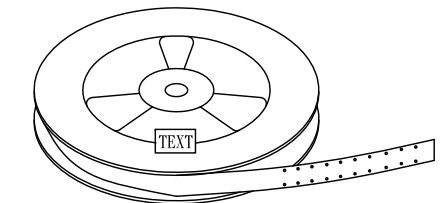
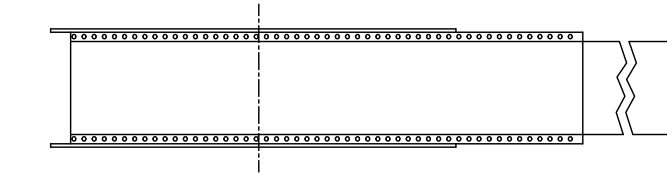
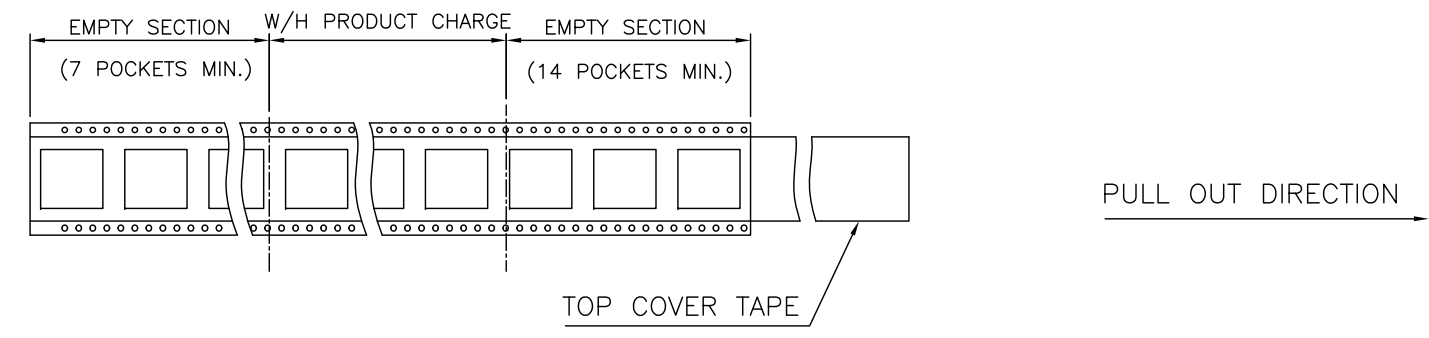
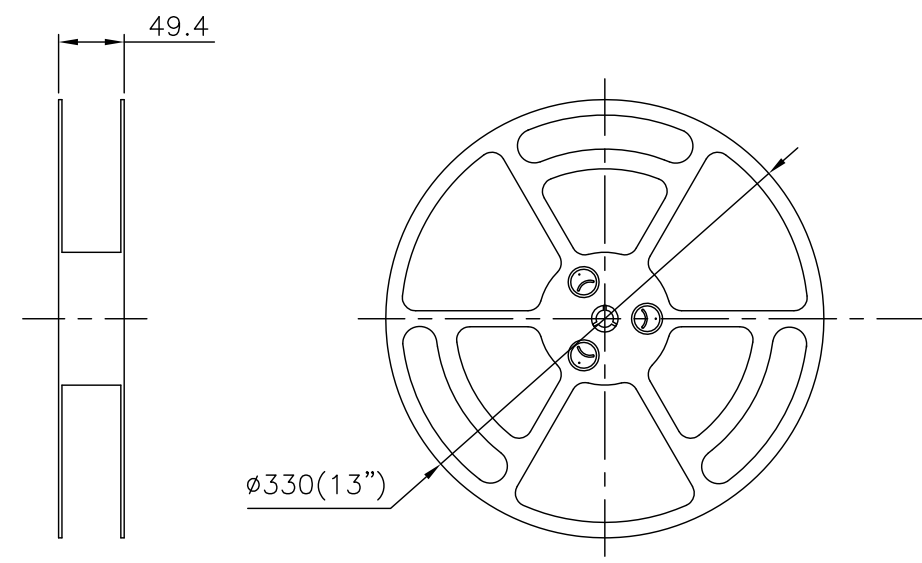
3

2

1

THIS DRAWING IS UNPUBLISHED. RELEASED FOR PUBLICATION
 © COPYRIGHT BY TYCO ELECTRONICS CORPORATION. ALL RIGHTS RESERVED.

LOC	DIST	REVISIONS					
DW		P	LTR	DESCRIPTION	DATE	DWN	APVD
				SEE SHEET 1.			



140	7	980	8.60	4.62	5-1734062-1	OBSOLETE
PCS/REEL	REELS/BOX	QUANTITY (PCS)	G/W (Kg)	N/W (Kg)	PART NUMBER	

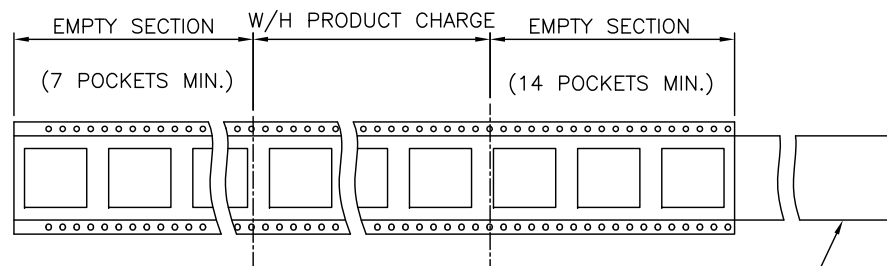
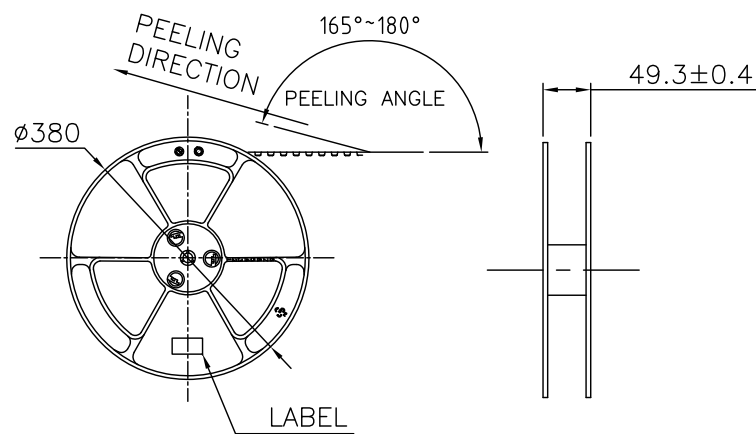
THIS DRAWING IS A CONTROLLED DOCUMENT.		DWN	TE Connectivity			
DIMENSIONS: MM		CHK				
TOLERANCES UNLESS OTHERWISE SPECIFIED:		APVD	NAME			
0 PLC ± -		PRODUCT SPEC	USB CONNECTOR, A SERIES, STACKED, OFFSET TYPE			
1 PLC ± -		APPLICATION SPEC	SIZE	CAGE CODE	DRAWING NO	RESTRICTED TO
2 PLC ± -		WEIGHT	A3	00779	C=1734062	
3 PLC ± -			CUSTOMER DRAWING			
4 PLC ± -			SCALE	SHEET	19 of 24	REV G4
ANGLES ± -						
FINISH						
MATERIAL						

THIS DRAWING IS UNPUBLISHED.

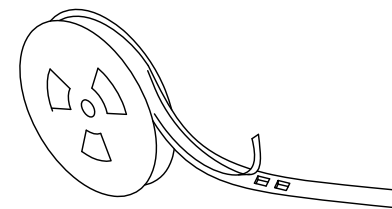
RELEASED FOR PUBLICATION

© COPYRIGHT BY TYCO ELECTRONICS CORPORATION. ALL RIGHTS RESERVED.

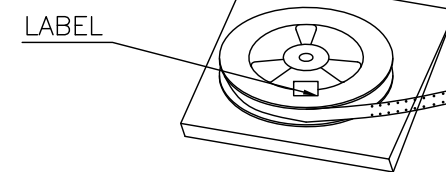
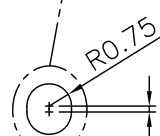
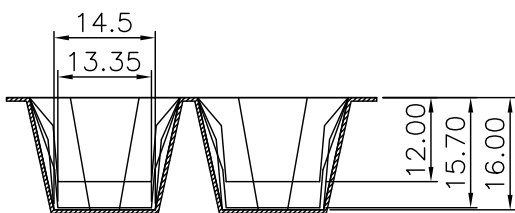
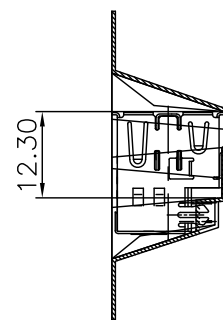
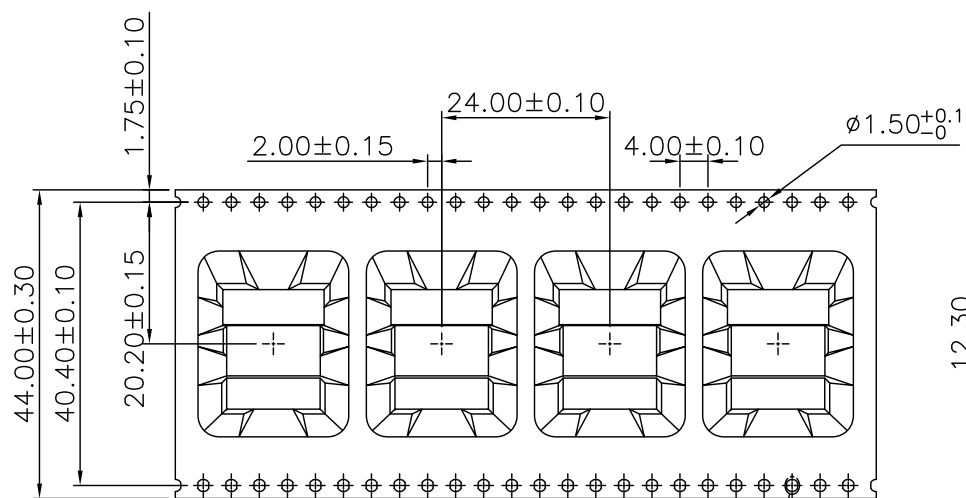
LOC	DIST	REVISIONS					
DW		P	LTR	DESCRIPTION	DATE	DWN	APVD
				SEE SHEET 1.			



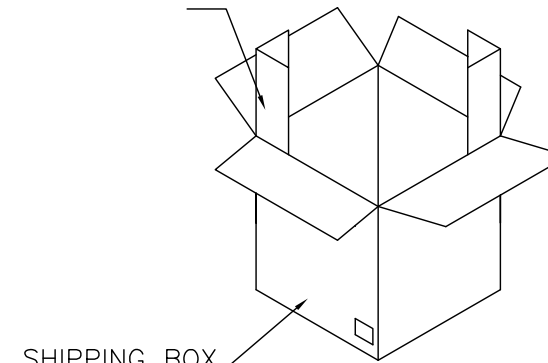
TOP COVER TAPE



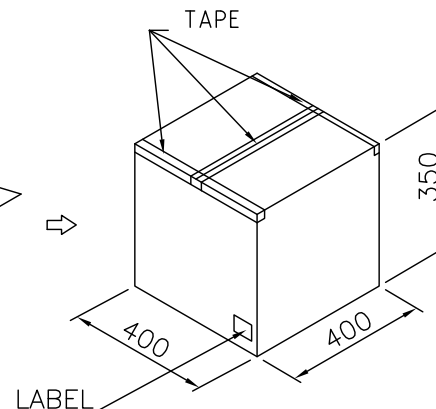
PULL OUT DIRECTION



FOLDER PAPER BOARD



SHIPPING BOX



11.20 Kg	6.10 Kg	200	7	1400 PCS	4-1734062-2	OBSOLETE
GROSS WEIGHT	NET WEIGHT	PCS/REEL	REELS/CARTON	QUANTITY	PART NUMBER	

THIS DRAWING IS A CONTROLLED DOCUMENT.		DWN	TE Connectivity			
DIMENSIONS: MM		CHK				
TOLERANCES UNLESS OTHERWISE SPECIFIED:		APVD	NAME			
0 PLC ± -		PRODUCT SPEC	USB CONNECTOR, A SERIES, STACKED, OFFSET TYPE			
1 PLC ± -		APPLICATION SPEC	RESTRICTED TO			
2 PLC ± -		WEIGHT	SIZE	CAGE CODE	DRAWING NO	
3 PLC ± -			A3	00779	C=1734062	
4 PLC ± -		CUSTOMER DRAWING	SCALE	SHEET	20 of 24	REV G4
ANGLES ± -						
FINISH						
MATERIAL						

4

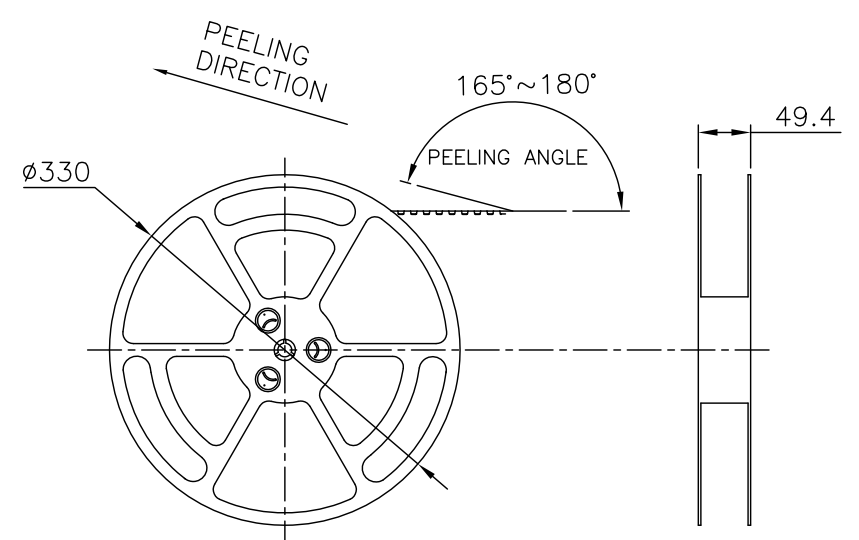
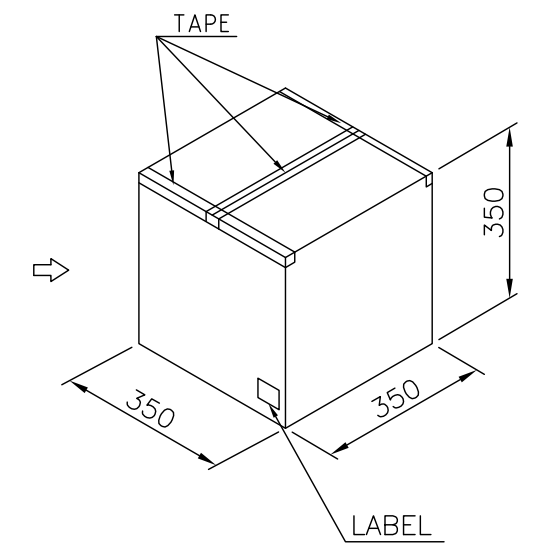
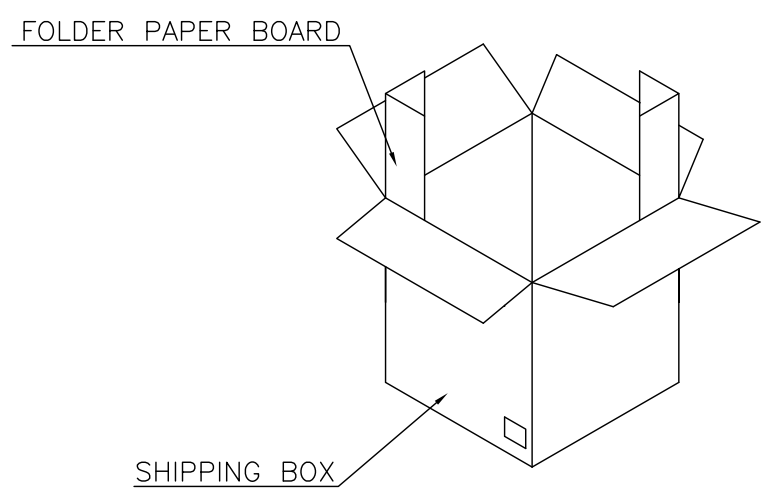
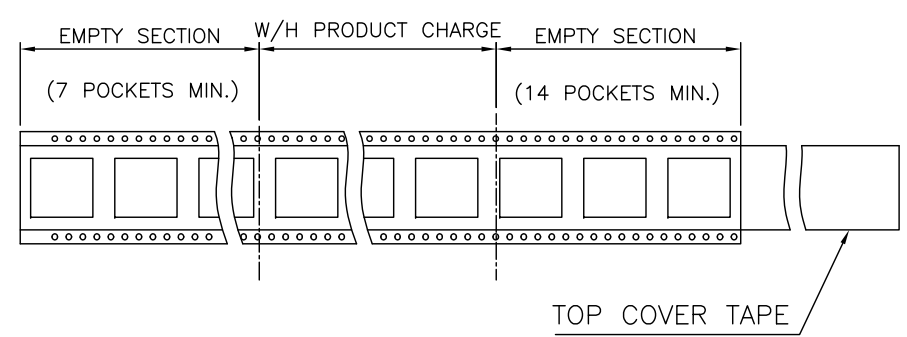
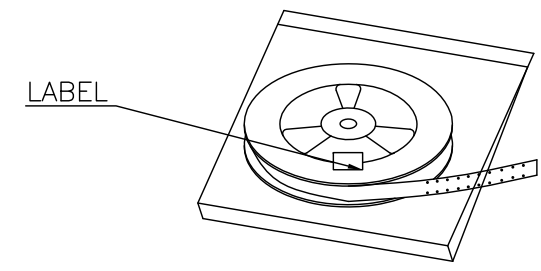
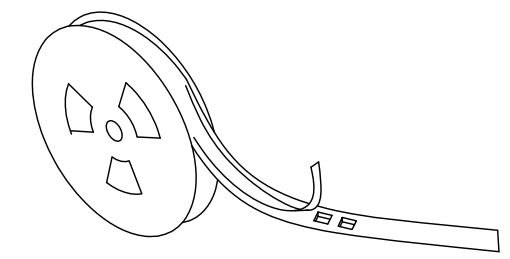
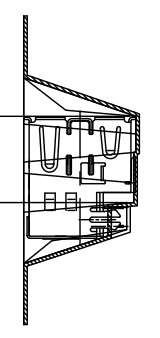
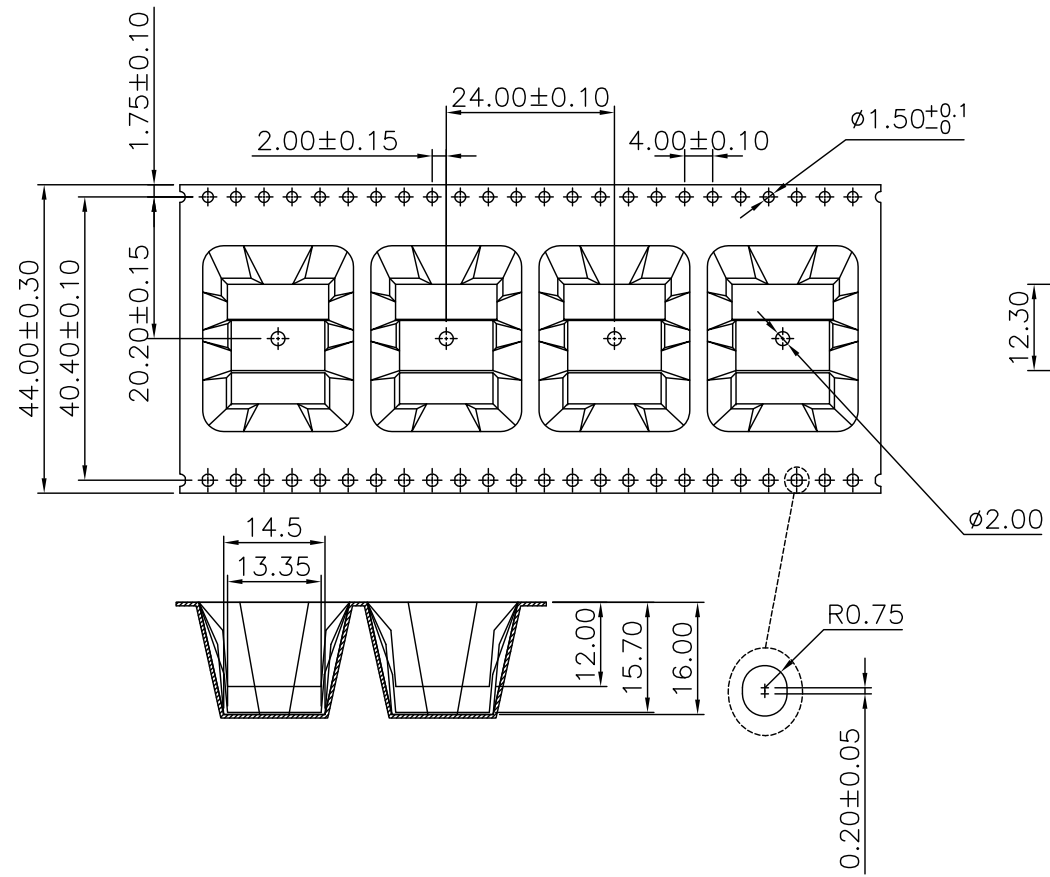
3

2

1

THIS DRAWING IS UNPUBLISHED. RELEASED FOR PUBLICATION
 © COPYRIGHT BY TYCO ELECTRONICS CORPORATION. ALL RIGHTS RESERVED.

LOC	DIST	REVISIONS					
DW		P	LTR	DESCRIPTION	DATE	DWN	APVD
				SEE SHEET 1.			



7.01 Kg	2.98 Kg	100	7	700 PCS	4-1734062-3
GROSS WEIGHT	NET WEIGHT	PCS/REEL	REELS/CARTON	QUANTITY	PART NUMBER

THIS DRAWING IS A CONTROLLED DOCUMENT.		DWN	TE Connectivity		
DIMENSIONS: MM		CHK			
TOLERANCES UNLESS OTHERWISE SPECIFIED:		APVD	NAME		
0 PLC ± -		PRODUCT SPEC	USB CONNECTOR, A SERIES, STACKED, OFFSET TYPE		
1 PLC ± -		APPLICATION SPEC	SIZE	CAGE CODE	DRAWING NO
2 PLC ± -		WEIGHT	A3	00779	C=1734062
3 PLC ± -		CUSTOMER DRAWING	SCALE	SHEET	REV
4 PLC ± -				21 of 24	G4
ANGLES ± -					
FINISH					
MATERIAL					

4

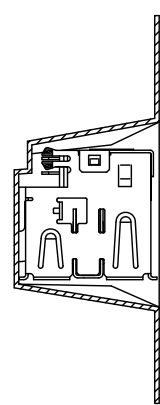
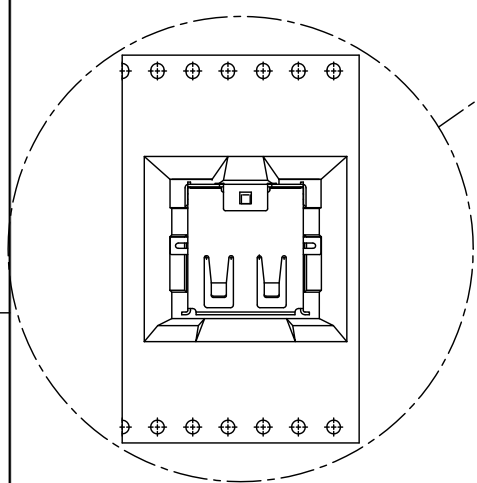
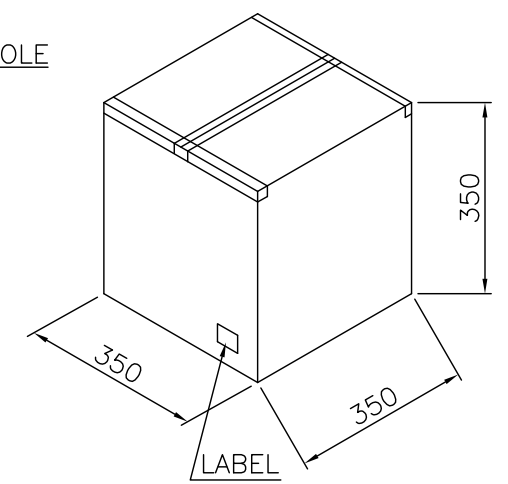
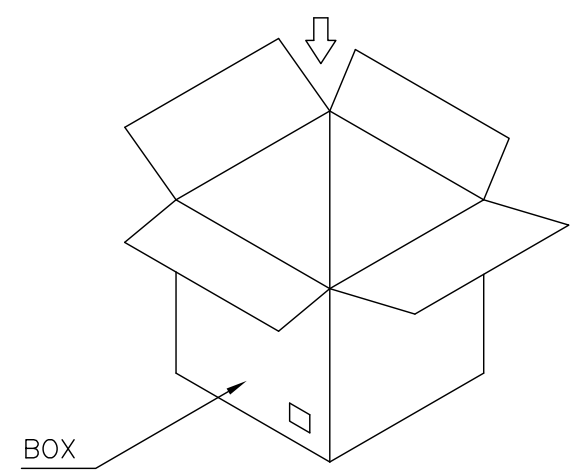
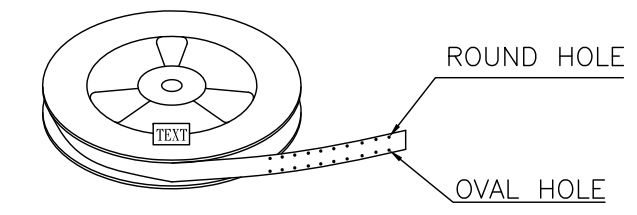
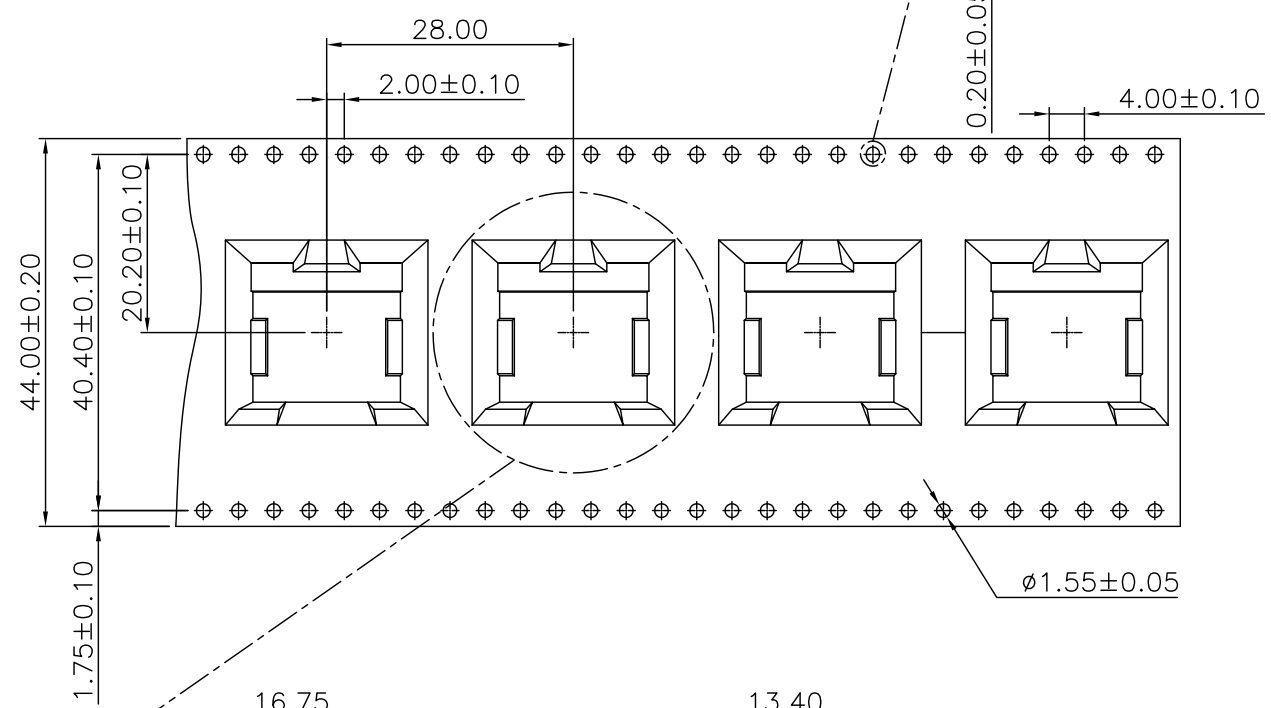
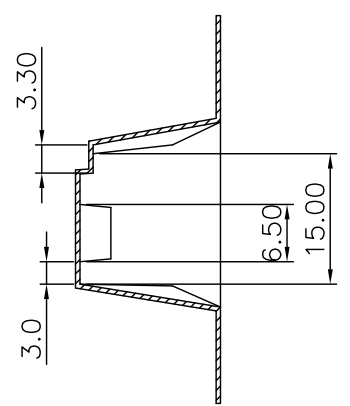
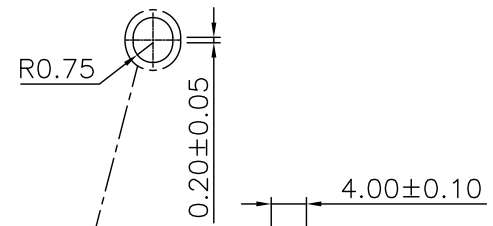
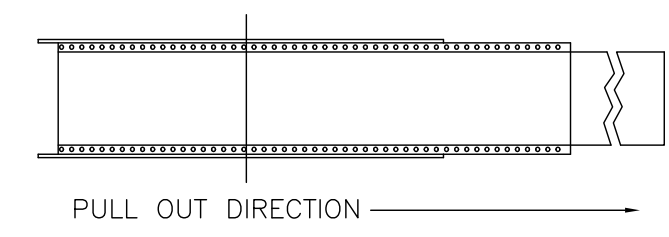
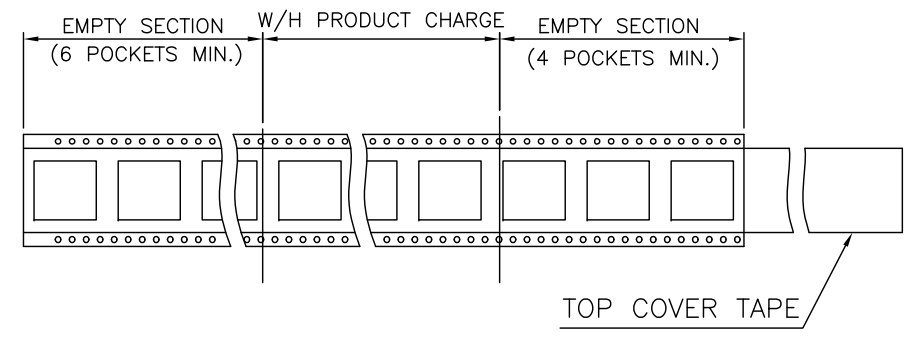
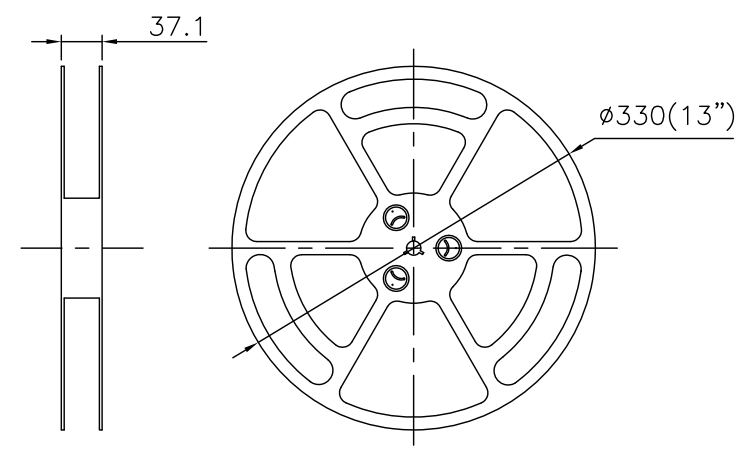
3

2

1

THIS DRAWING IS UNPUBLISHED. RELEASED FOR PUBLICATION
 © COPYRIGHT BY TYCO ELECTRONICS CORPORATION. ALL RIGHTS RESERVED.

LOC	DIST	REVISIONS					
DW		P	LTR	DESCRIPTION	DATE	DWN	APVD
				SEE SHEET 1.			



150	7	1050	8.93	4.95	6-1734062-1
PCS/REEL	REELS/BOX	QUANTITY (PCS)	G/W (Kg)	N/W (Kg)	PART NUMBER

THIS DRAWING IS A CONTROLLED DOCUMENT.		DWN	TE Connectivity		
DIMENSIONS: MM		CHK			
TOLERANCES UNLESS OTHERWISE SPECIFIED:		APVD	NAME		
0 PLC ± -		PRODUCT SPEC	USB CONNECTOR, A SERIES, STACKED, OFFSET TYPE		
1 PLC ± -		APPLICATION SPEC	SIZE	CAGE CODE	DRAWING NO
2 PLC ± -		WEIGHT	A3	00779	C=1734062
3 PLC ± -		CUSTOMER DRAWING	RESTRICTED TO		
4 PLC ± -			SCALE	SHEET	REV
ANGLES ± -				22 of 24	G4
MATERIAL					
FINISH					

4

3

2

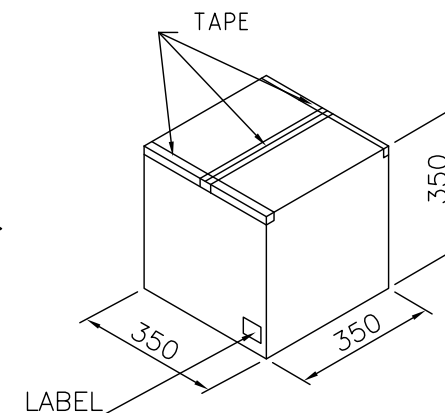
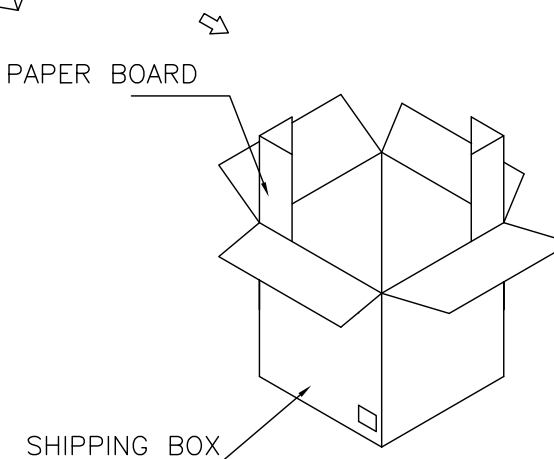
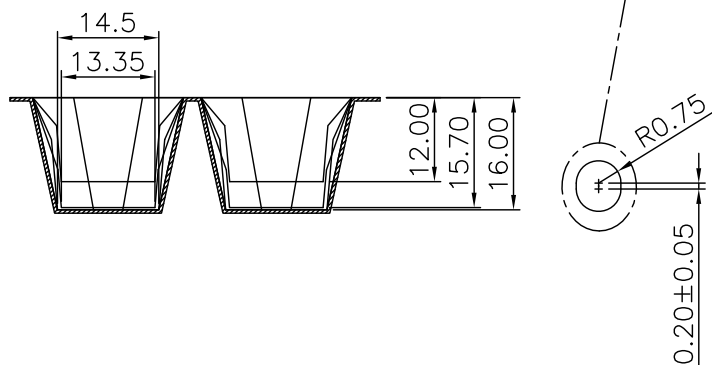
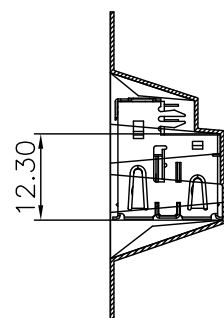
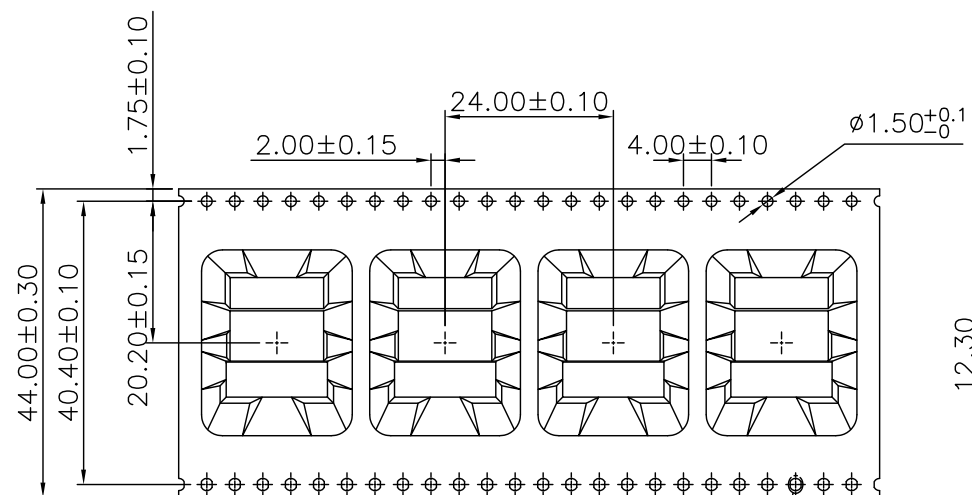
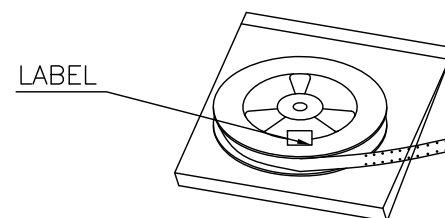
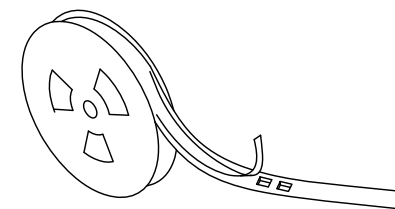
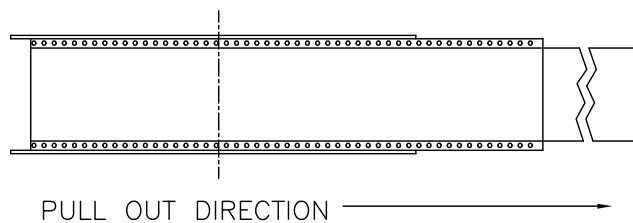
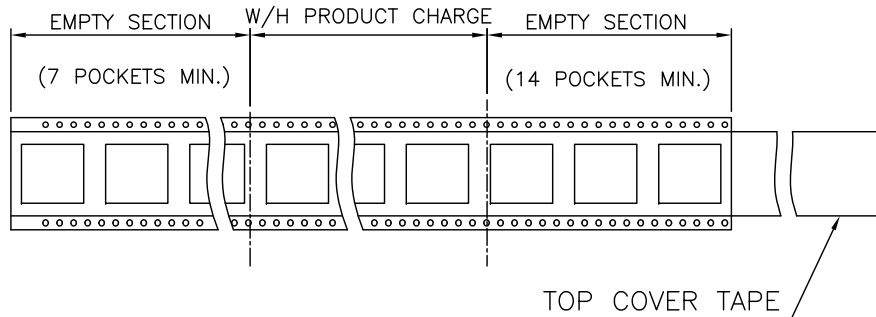
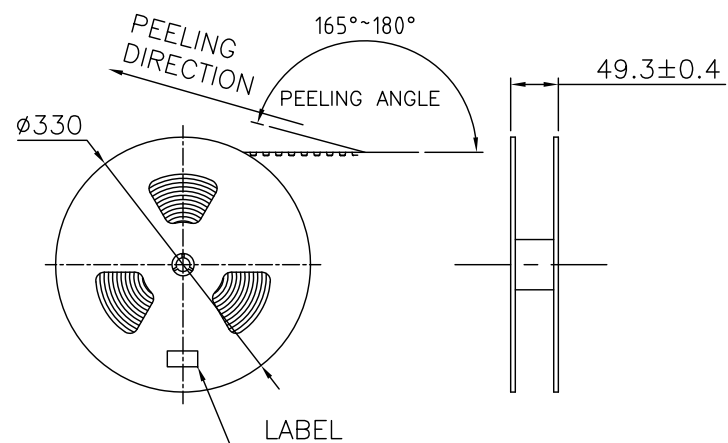
1

THIS DRAWING IS UNPUBLISHED.

RELEASED FOR PUBLICATION

© COPYRIGHT BY TYCO ELECTRONICS CORPORATION. ALL RIGHTS RESERVED.

LOC DW	DIST	REVISIONS			
P	LTR	DESCRIPTION	DATE	DWN	APVD
		SEE SHEET 1.			



130	7	910	7.94	3.91	7-1734062-1	OBSOLETE
PCS/REEL	REELS/BOX	QUANTITY (PCS)	G/W (Kg)	N/W (Kg)	PART NUMBER	

THIS DRAWING IS A CONTROLLED DOCUMENT.		DWN	TE Connectivity NAME USB CONNECTOR, A SERIES, STACKED, OFFSET TYPE			
DIMENSIONS: MM		CHK				
TOLERANCES UNLESS OTHERWISE SPECIFIED:		APVD	PRODUCT SPEC			
0 PLC ± -		PRODUCT SPEC APPLICATION SPEC WEIGHT	APPLICATION SPEC			
1 PLC ± -			RESTRICTED TO			
2 PLC ± -			SIZE	CAGE CODE	DRAWING NO	
3 PLC ± -			A3	00779	C=1734062	
4 PLC ± -		CUSTOMER DRAWING		SCALE	SHEET	REV
ANGLES ± -					23 of 24	G4
FINISH						

4

3

2

1

THIS DRAWING IS UNPUBLISHED.

RELEASED FOR PUBLICATION

LOC

DIST

REVISIONS

©

COPYRIGHT

BY TYCO ELECTRONICS CORPORATION.

ALL RIGHTS RESERVED.

DW

P

LTR

DESCRIPTION

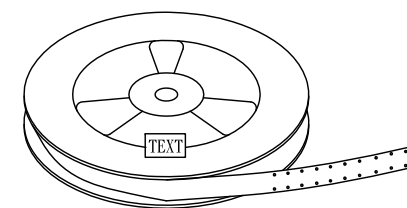
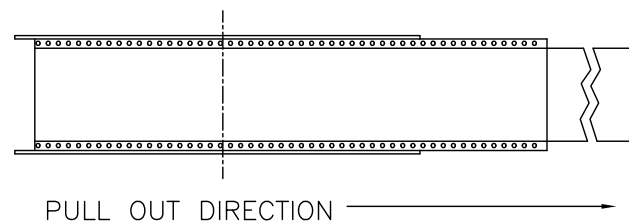
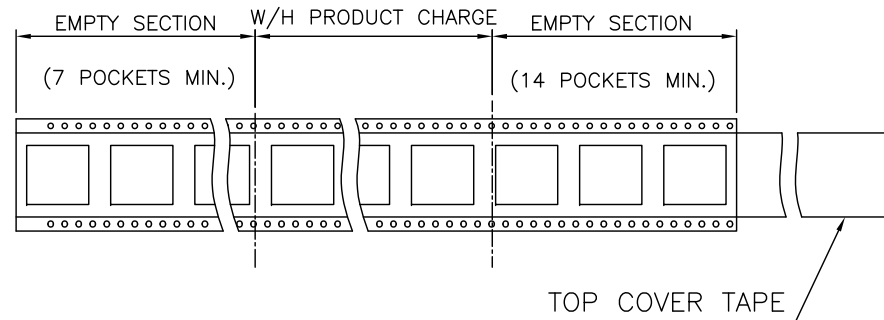
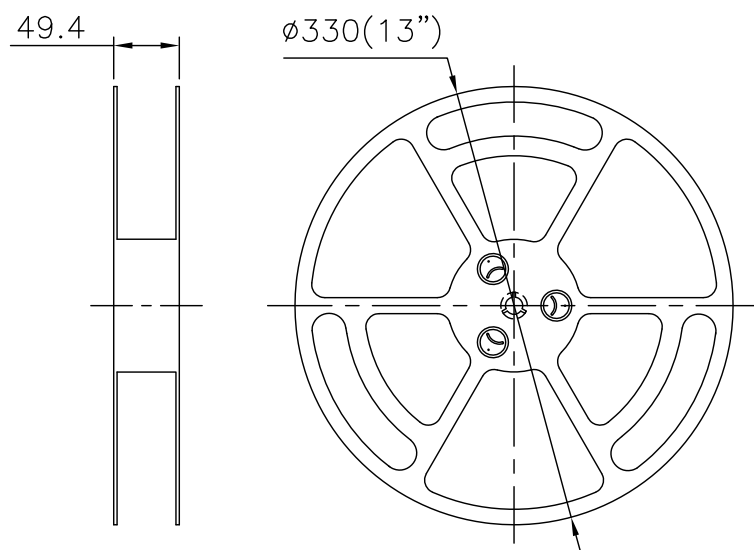
DATE

DWN

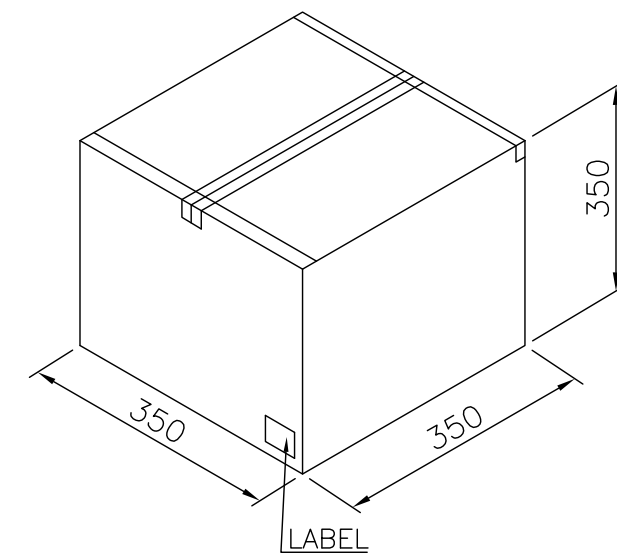
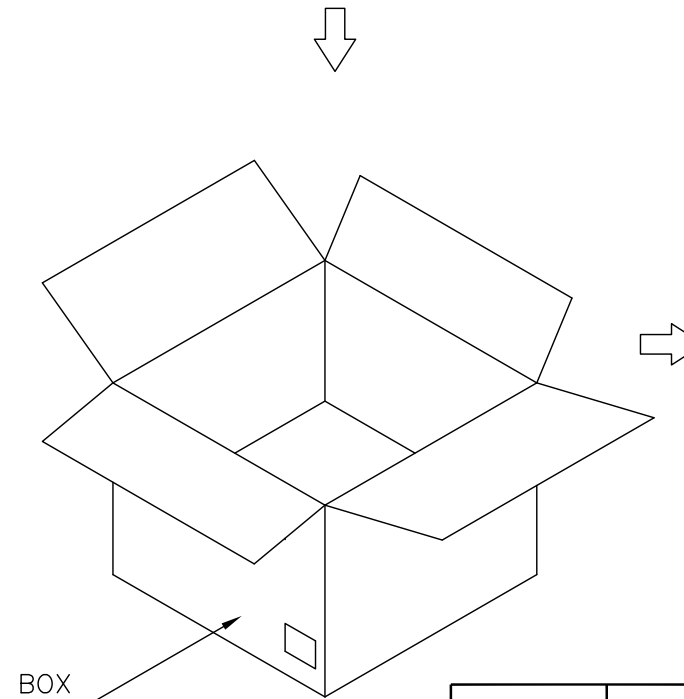
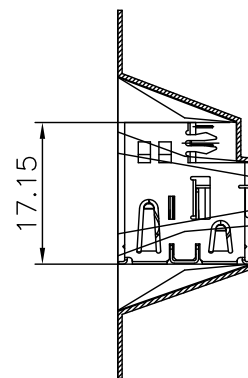
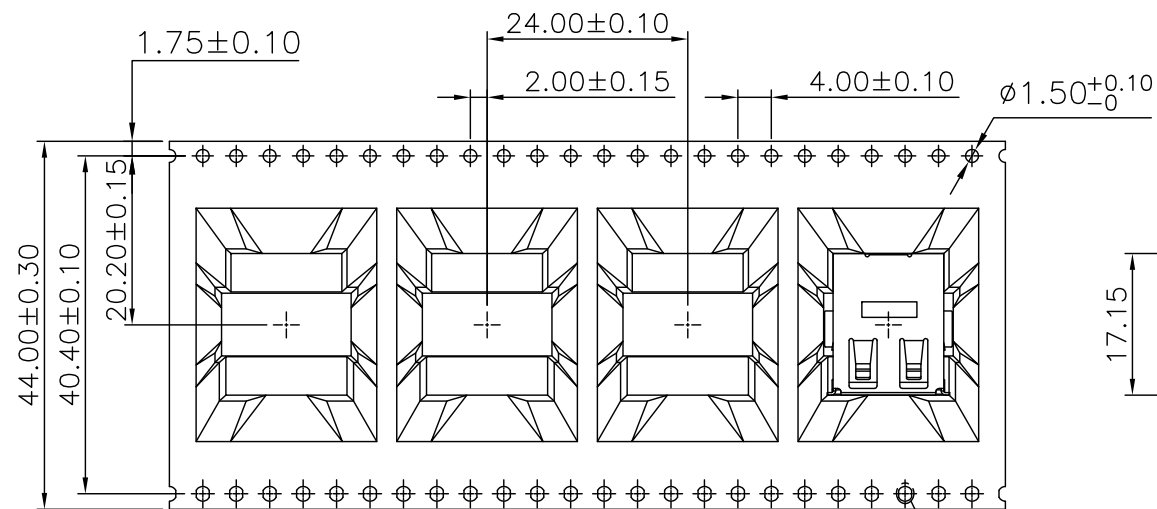
APVD

SEE SHEET 1.

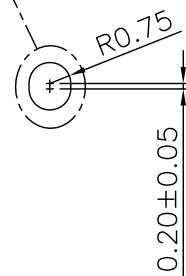
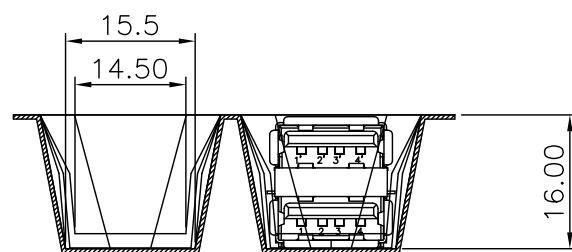
D



C



B



180	7	1260	9.40	5.42	8-1734062-1
PCS/REEL	REELS/BOX	QUANTITY (PCS)	G/W (Kg)	N/W (Kg)	PART NUMBER

A

THIS DRAWING IS A CONTROLLED DOCUMENT.		DWN	TE Connectivity		
DIMENSIONS: MM		CHK			
TOLERANCES UNLESS OTHERWISE SPECIFIED:		APVD	NAME		
0 PLC ± -		PRODUCT SPEC	USB CONNECTOR, A SERIES, STACKED, OFFSET TYPE		
1 PLC ± -		APPLICATION SPEC	SIZE	CAGE CODE	DRAWING NO
2 PLC ± -		WEIGHT	A3	00779	C=1734062
3 PLC ± -		CUSTOMER DRAWING	RESTRICTED TO		
4 PLC ± -		SCALE	SHEET 24 of 24		
ANGLES ± -		REV	G4		
FINISH					